

McIntosh

MAC 4100

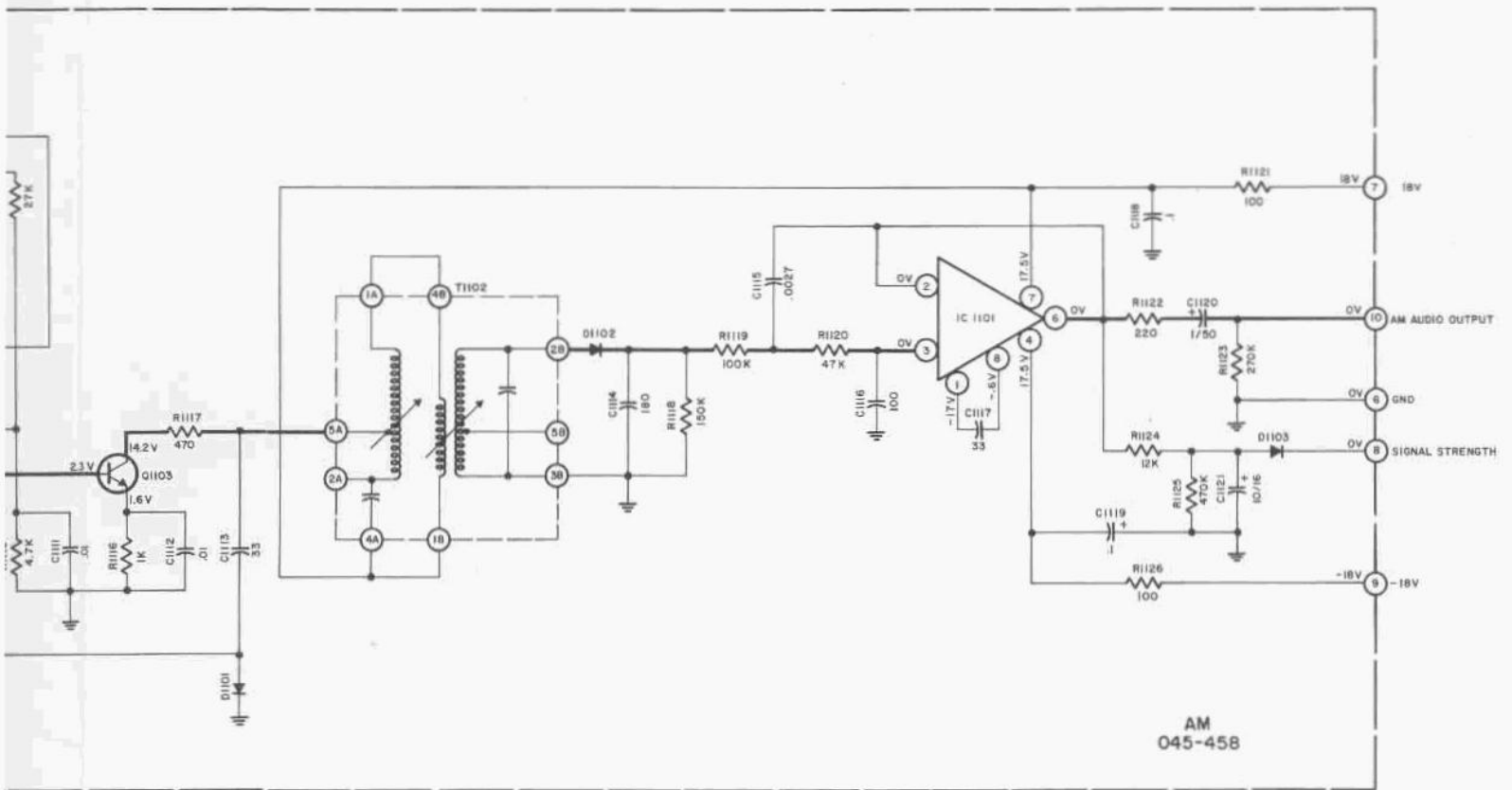
AM/FM RECEIVER

SERVICE INFORMATION

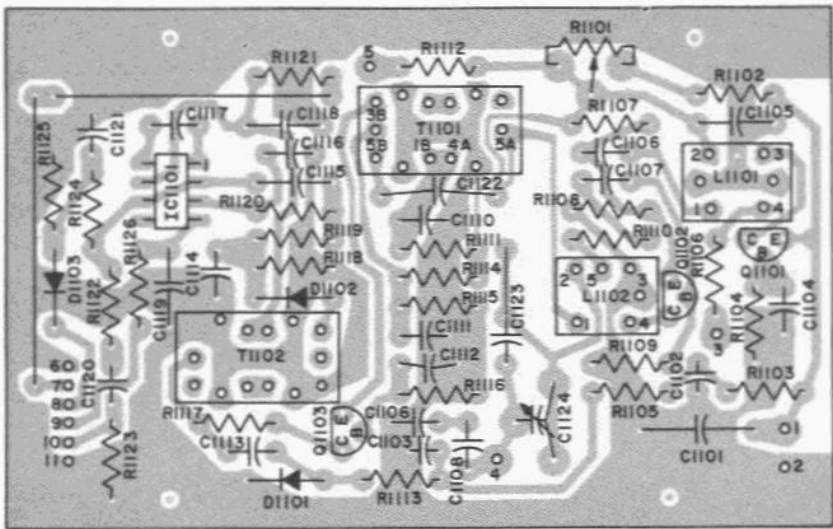
SERIAL NO. BY3001 AND ABOVE

ADDENDUM: STARTING WITH SERIAL #BY 3001 AND ABOVE, PLEASE REFER TO AM-FM FRONT END P.C. BOARD ASSEMBLY #059020, AM P.C. BOARD #045458 AND THE INTER CONNECT DIAGRAM; ALL OF WHICH ARE LOCATED IN THIS FOLD OUT.

IN McINTOSH MAC 4100 SERIAL #BY 1001 TO BY 2990, REFER TO SERVICE MANUAL.



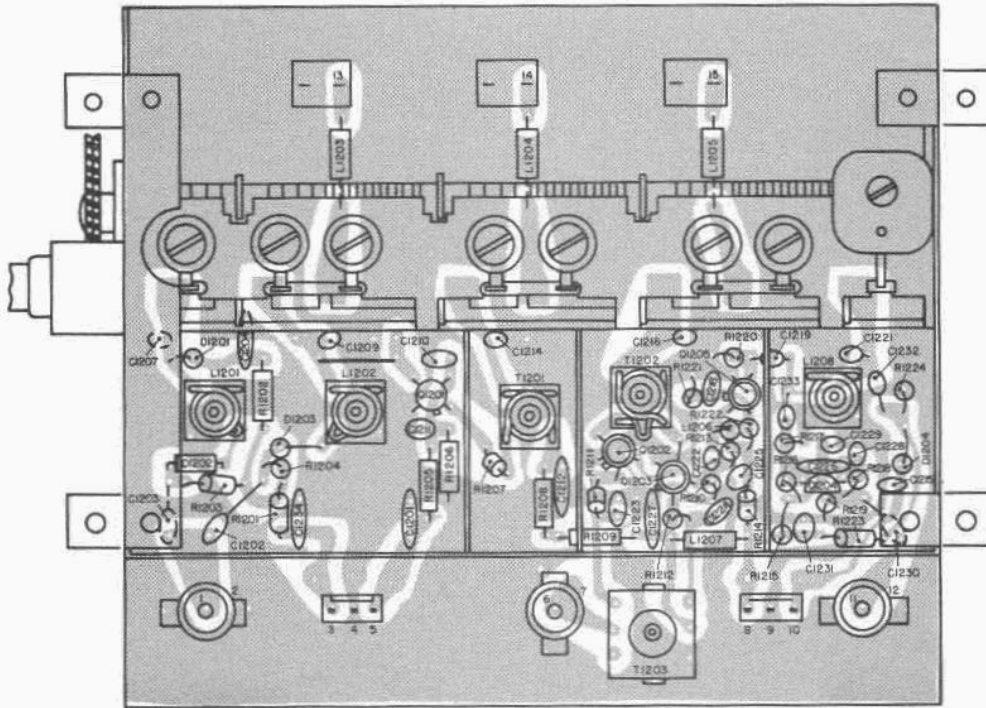
PC BOARD
045458



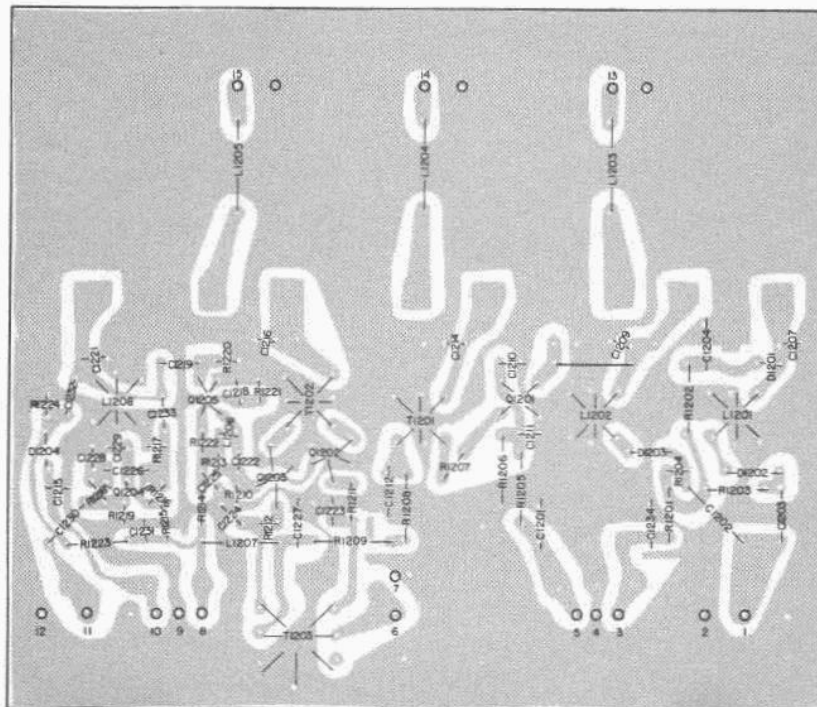
AM PC BOARD
045458

CIRCUIT SIDE

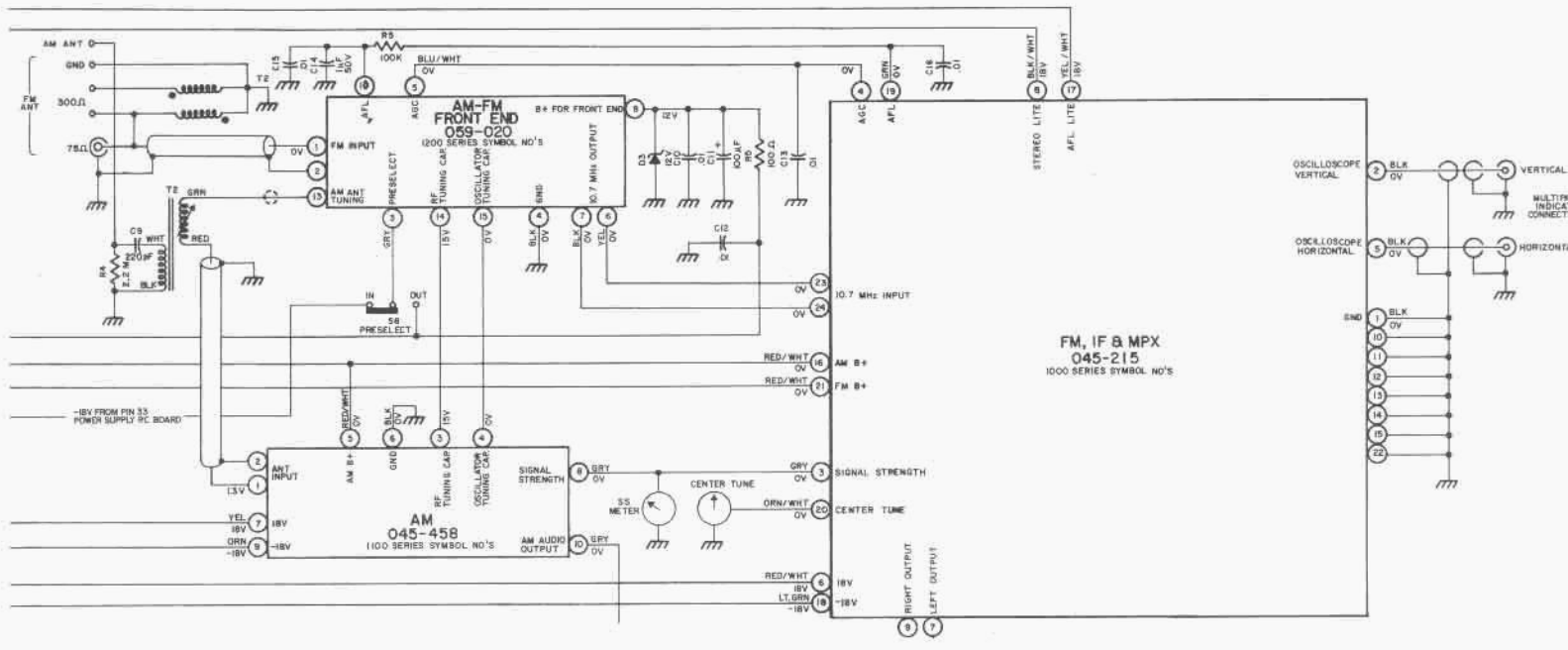
MAC4100
AM-FM FRONT END



AM-FM FRONT END PC BOARD
059-020
COMPONENT SIDE

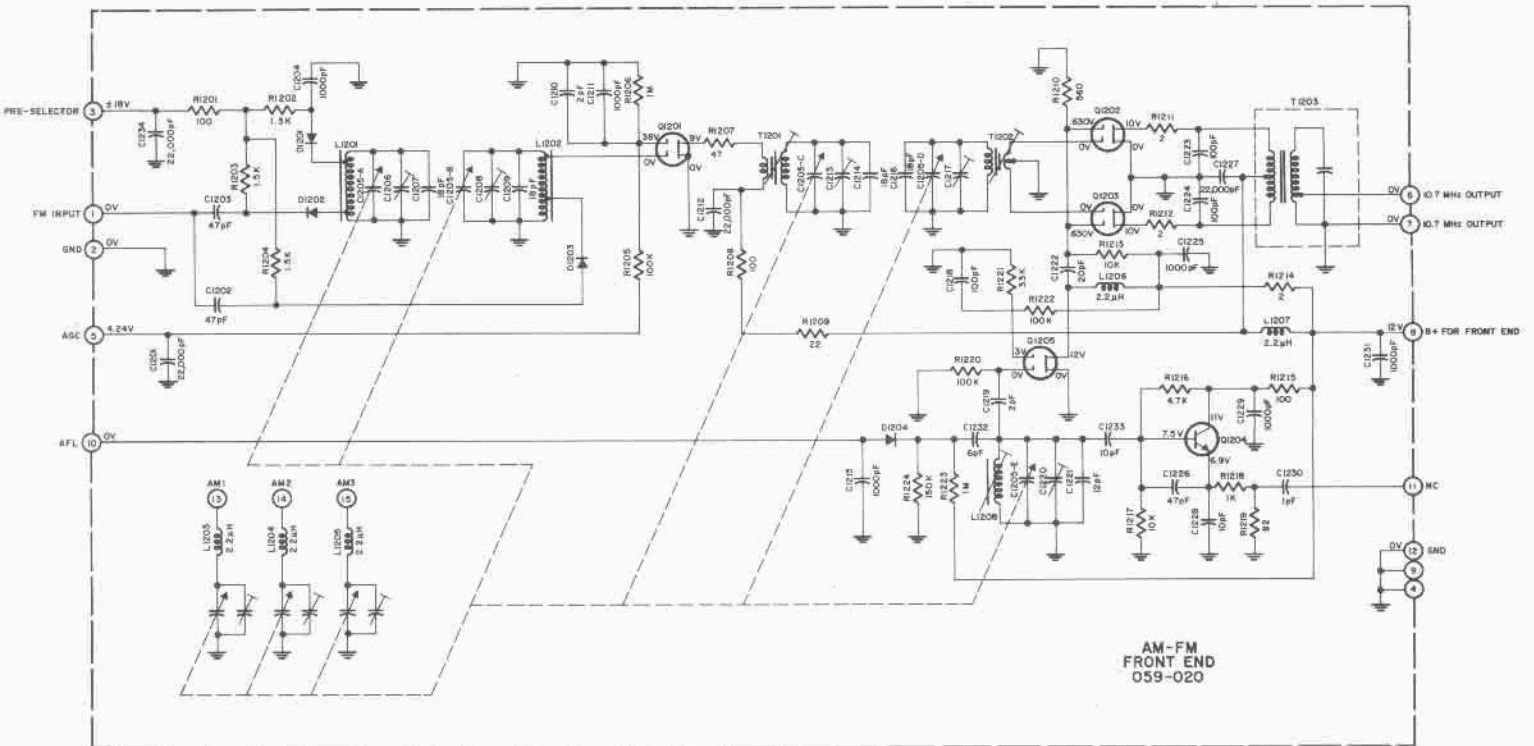


AM-FM FRONT END PC BOARD
059-020
CIRCUIT SIDE



INTERCONNECT

AM-FM FRONT END



AM-FM FRONT END PC BOARD
059-020