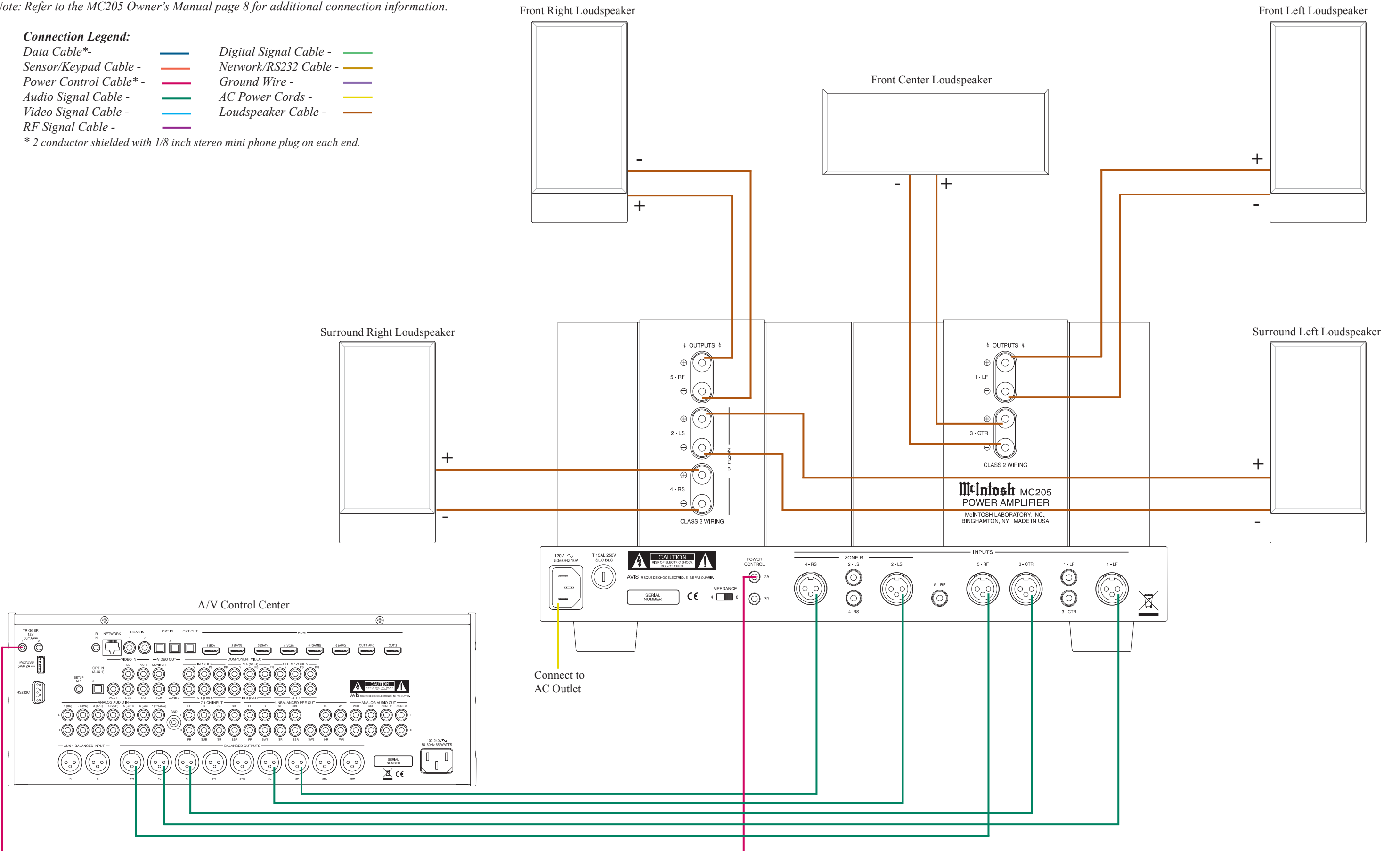


Note: Refer to the MC205 Owner's Manual page 8 for additional connection information.

**Connection Legend:**

- Data Cable\* - — Digital Signal Cable - —
  - Sensor/Keypad Cable - — Network/RS232 Cable - —
  - Power Control Cable\* - — Ground Wire - —
  - Audio Signal Cable - — AC Power Cords - —
  - Video Signal Cable - — Loudspeaker Cable - —
  - RF Signal Cable - —
- \* 2 conductor shielded with 1/8 inch stereo mini phone plug on each end.



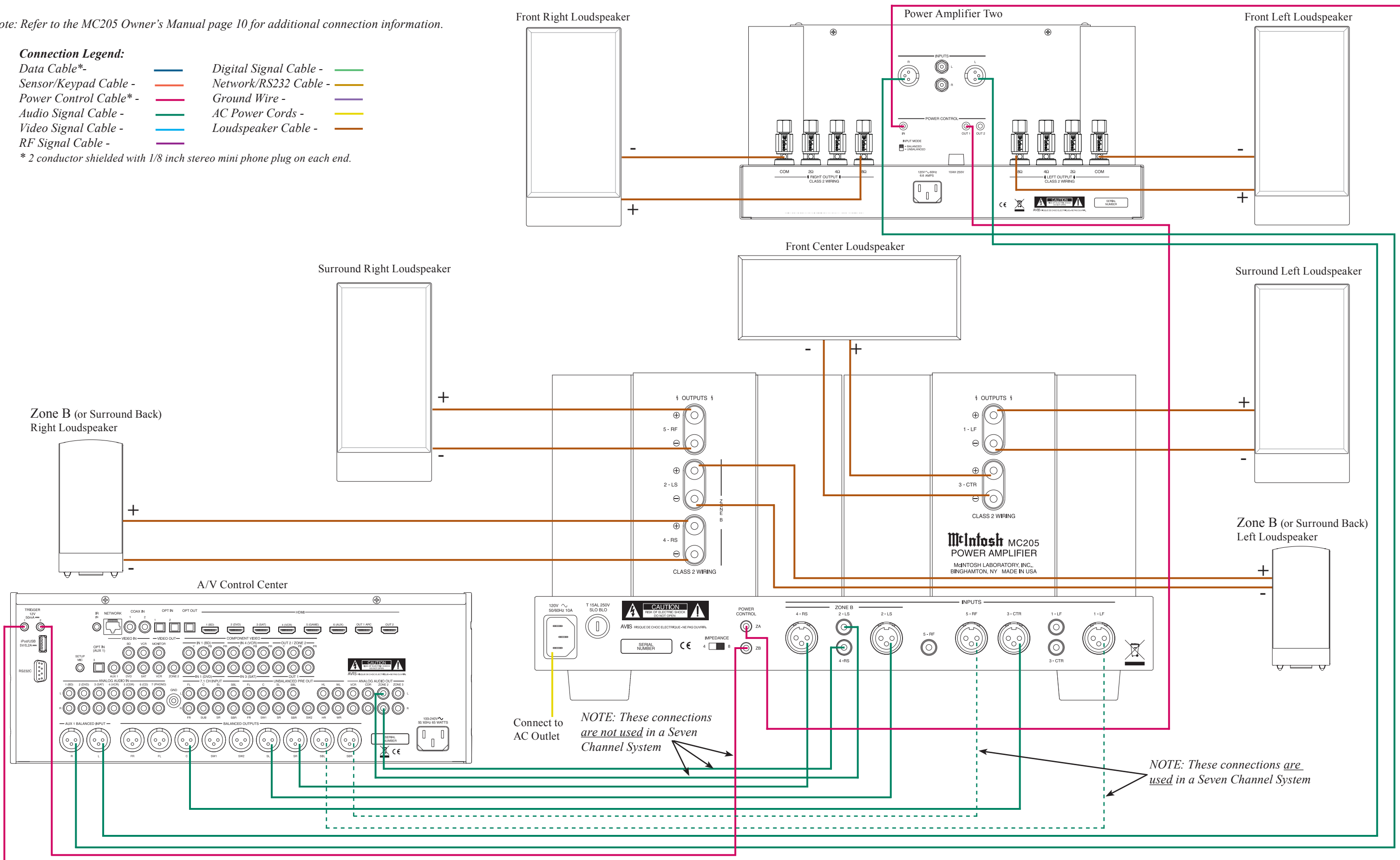


# MC205 Five Channel and Zone B System (or Seven Channel System) Connection Diagram

Note: Refer to the MC205 Owner's Manual page 10 for additional connection information.

### Connection Legend:

- Data Cable\* - — Digital Signal Cable - —
  - Sensor/Keypad Cable - — Network/RS232 Cable - —
  - Power Control Cable\* - — Ground Wire - —
  - Audio Signal Cable - — AC Power Cords - —
  - Video Signal Cable - — Loudspeaker Cable - —
  - RF Signal Cable - —
- \* 2 conductor shielded with 1/8 inch stereo mini phone plug on each end.



Connect to AC Outlet

NOTE: These connections are not used in a Seven Channel System

NOTE: These connections are used in a Seven Channel System