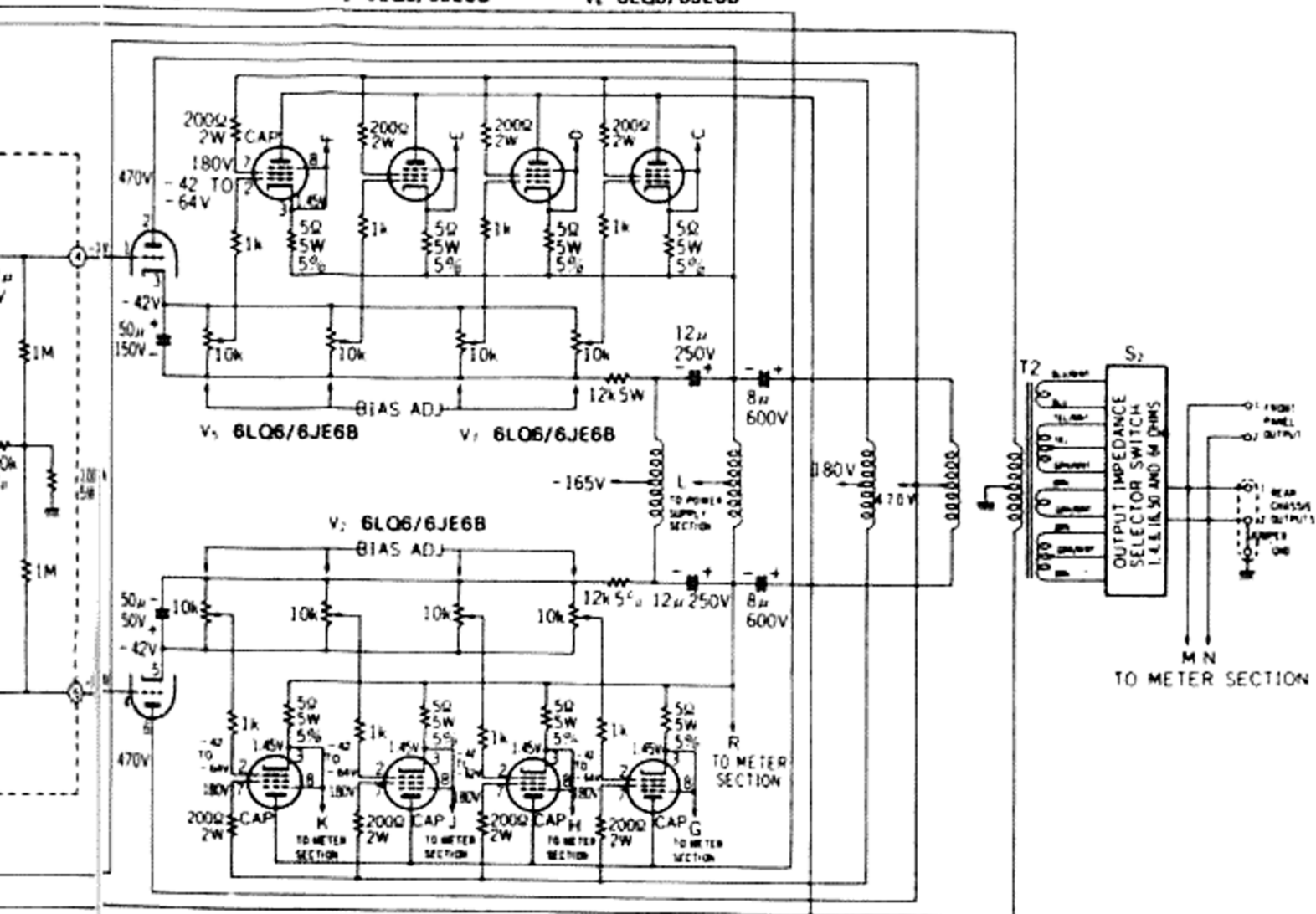


V₃ 6BL7GTA

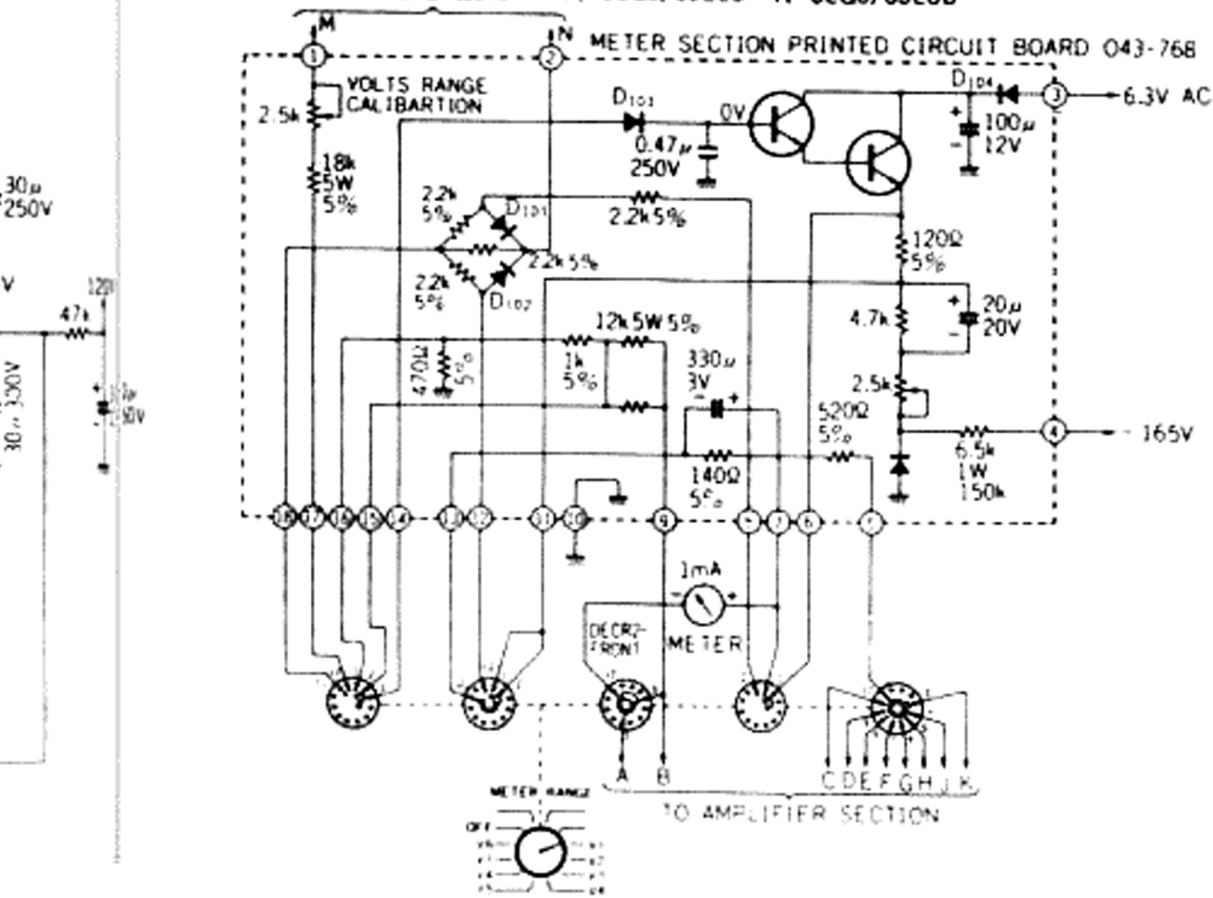
V₄ 6LQ6/6JE6B

V₅ 6LQ6/6JE6B



V₁ 6LQ6/6JE6B TO AMPLIFIER SECTION

V₁ 6LQ6/6JE6B V₁ 6LQ6/6JE6B



- D₁: Si rectifier
- D₂: Zener diode 10V
- D₃: Si signal diode
- D₄: Ge signal diode
- D₅: Ge signal diode
- D₆: Ge signal diode
- D₇: Si signal diode
- D₈: Si rectifier
- D₉: Si rectifier
- D₁₀: Si rectifier
- D₁₁: Si rectifier
- D₁₂: Si rectifier
- D₁₃: Si rectifier
- D₁₄: Zener diode