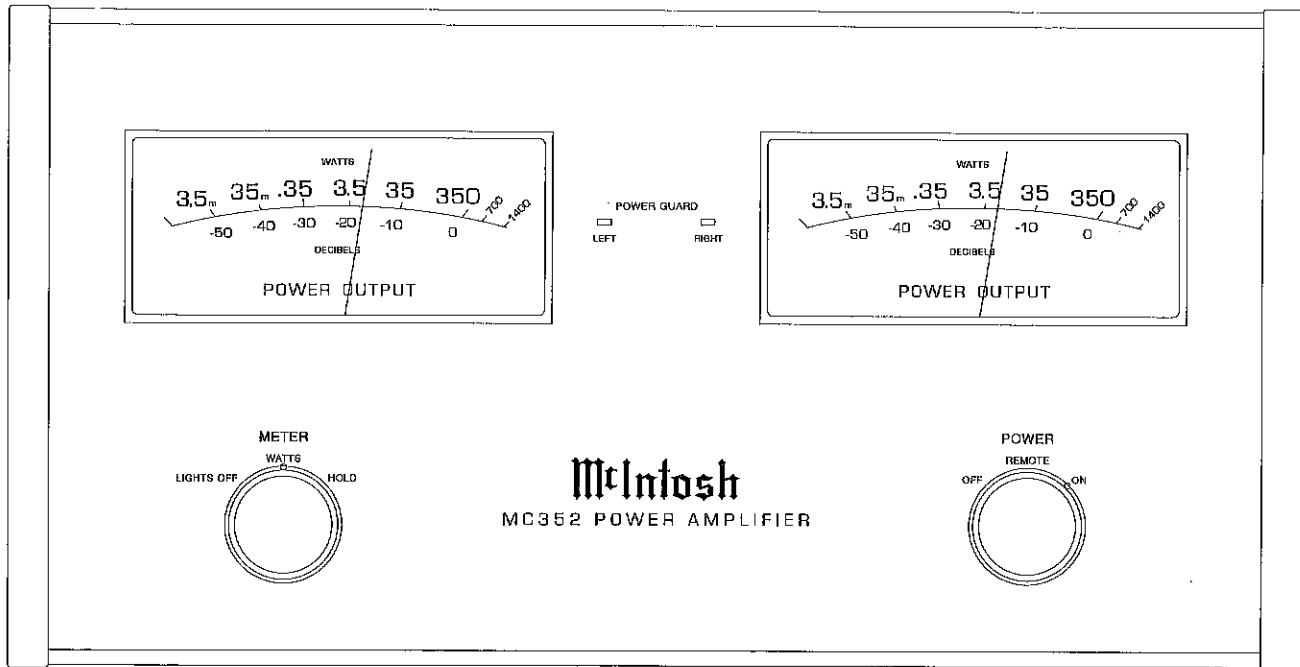


MC352

POWER AMPLIFIER



CONTENTS

Performance Specifications	2	Input Schematic and PCB	14-15
Notes	2	Capacitor Schematic and PCB	16
Rear Panel	3	Meter Schematic and PCB	17-19
Section Locations	4	Indicator Schematic and PCB	20
Block Diagram	5-6	Lamp Schematics and PCBs	21-22
Interconnection Diagram	7-8	Parts List	23-25
Heatsink Schematic and PCB	9-10	Exploded View and Parts List	26-28
Driver Schematic and PCB	11-13	Repacking Instructions	29

McIntosh

SERVICE MANUAL

PERFORMANCE SPECIFICATIONS

POWER OUTPUT STEREO

350 watts into 2, 4 or 8 ohm loads is the minimum sine wave continuous average power output per channel both channels operating.

POWER OUTPUT MONO PARALLEL

700 watts into 1, 2 or 4 ohm loads is the minimum sine wave continuous average power output.

OUTPUT LOAD IMPEDANCE

2, 4 or 8 ohms (Stereo Mode)
1, 2 or 4 ohms (Mono Mode)

RATED POWER BAND

20Hz to 20,000Hz

DYNAMIC HEADROOM

2.1dB

FREQUENCY RESPONSE

+0, -0.25dB from 20Hz to 20,000Hz
+0, -3dB from 10Hz to 100,000Hz

TOTAL HARMONIC DISTORTION

0.005% maximum at any power level from 250 milliwatts to rated power per channel from 20Hz to 20,000Hz, all channels operating.

INTERMODULATION DISTORTION

0.005% maximum if instantaneous peak output per channel does not exceed twice the rated output with all channels operating for any combination of frequencies from 20Hz to 20,000Hz.

SIGNAL TO NOISE RATIO (A WEIGHTED)

85dB Unbalanced (116dB below rated output)
115dB Balanced (124dB below rated output)

SENSITIVITY

1.9 Volts Unbalanced Input
3.8 Volts Balanced Input

INPUT IMPEDANCE

20,000 ohms Unbalanced
40,000 ohms Balanced

DAMPING FACTOR

Greater than 40

POWER REQUIREMENTS

100 Volts, 50/60Hz at 14.5 amps
110 Volts, 50/60Hz at 13.0 amps
120 Volts, 50/60Hz at 12.0 amps
220 Volts, 50/60Hz at 6.50 amps
230 Volts, 50/60Hz at 6.25 amps
240 Volts, 50/60Hz at 6.00 amps

NOTE: Refer to the rear panel of the MC352 for the correct voltage.

DIMENSIONS


Front Panel: 17.50 inches (44.5cm) wide, 8.89 inches (22.58cm) high. Depth behind front mounting panel is 21 inches (53.3cm) including clearance for connectors. Panel clearance required in front of mounting panel is 1.125 inches (2.9cm).

WEIGHT

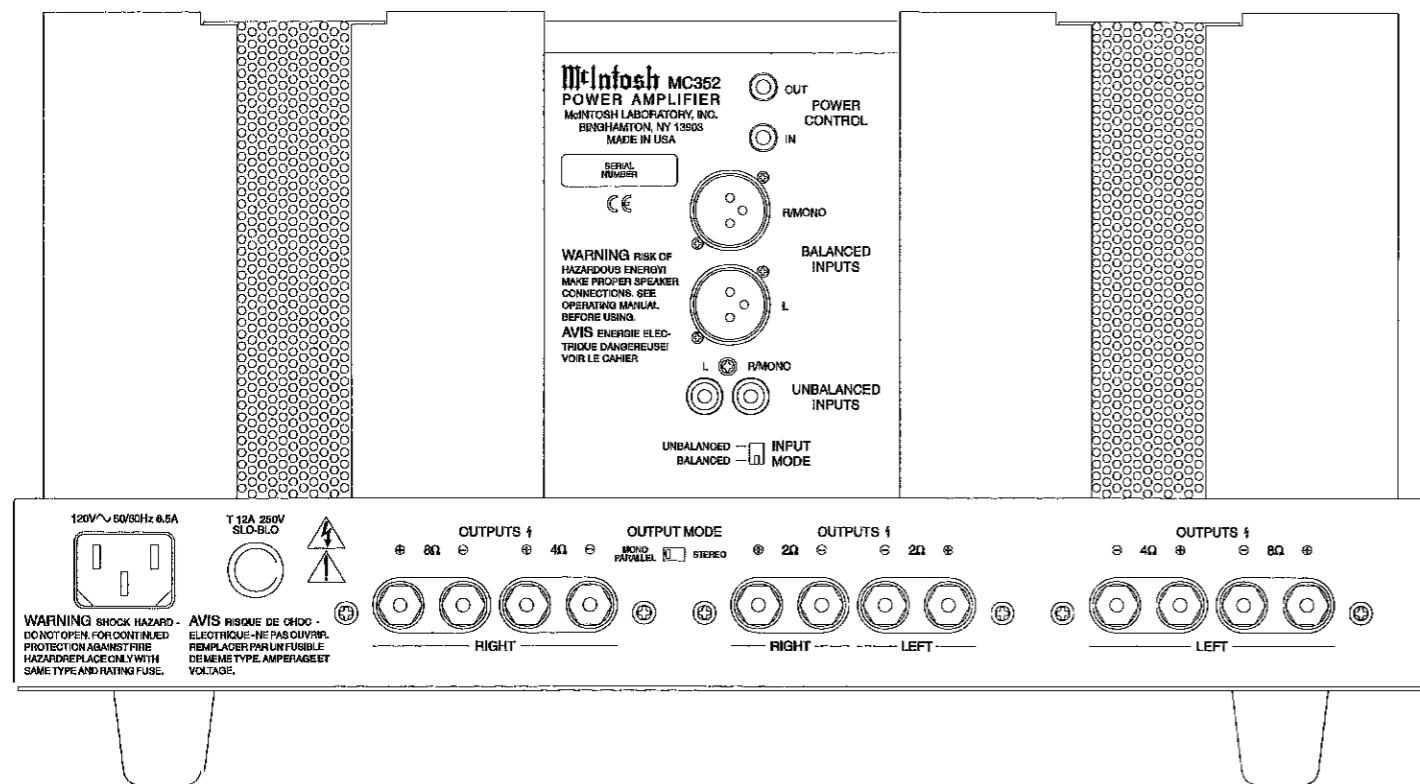
105 pounds (47.63Kg) net, 138 pounds (63Kg) in shipping carton

NOTES

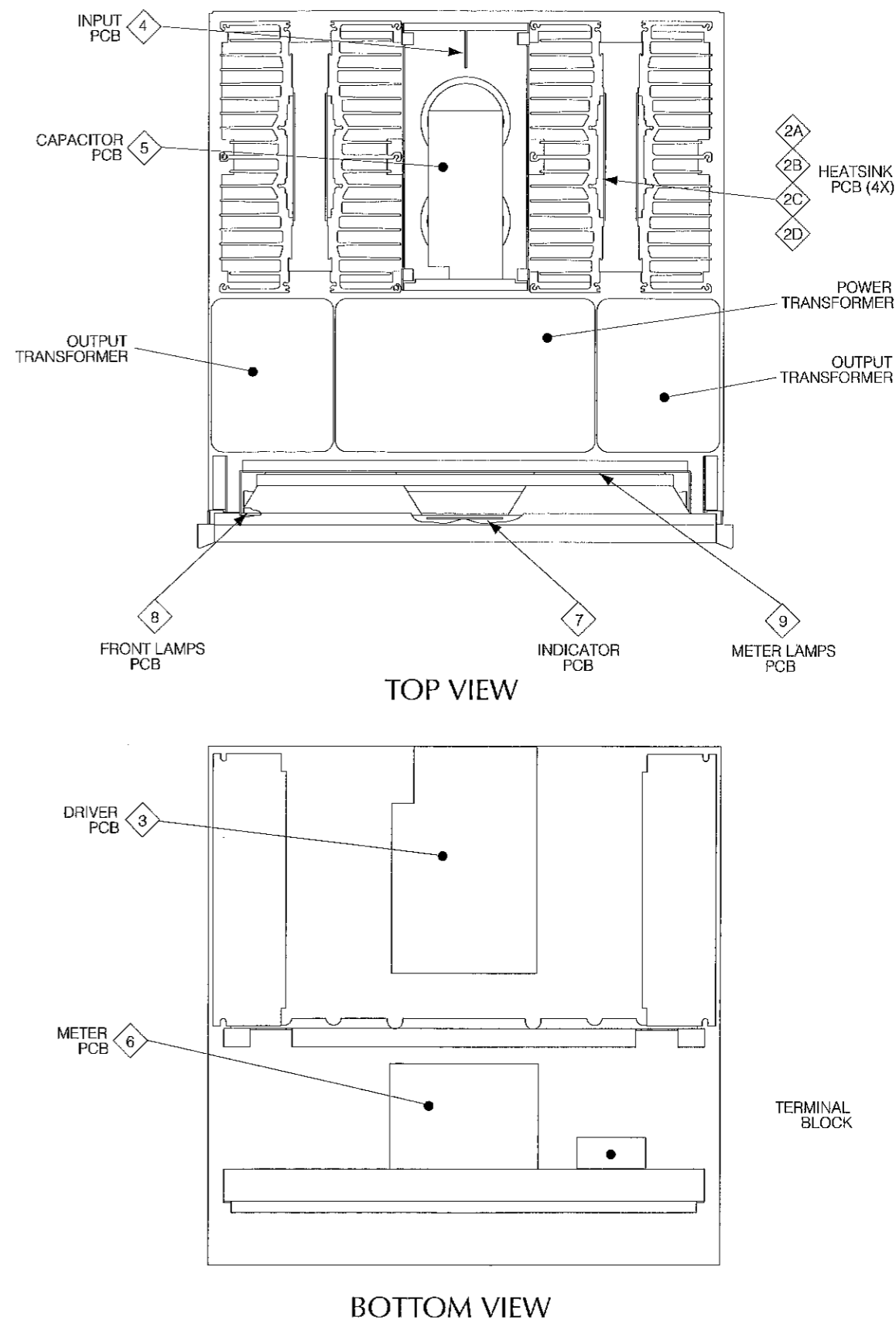
1. The heavy lines on the schematics denote the primary signal path.
2. Unless otherwise noted, all voltages indicated on the schematics are measured under the following conditions:
 - a. DC input at 14.4 volts.
 - b. ON connector at 14.4VDC.
 - c. All voltages are +\— with respect to ground.A high impedance (10 megohm) voltmeter must be used.
3. Unless otherwise specified:
 - a. Resistor values are in ohms.
 - b. Capacitor values are in microfarads (μ F).
 - c. Inductor values are in microhenries (μ H).
4. The voltages enclosed in a box are signal voltages that are measured with a 0.3V, 1kHz signal connected to all channels at the input jacks.

CHANNELS	HI-PASS FILTER	OUT
SUBWOOFER		OUT
LEVEL (4)		0.3V
5. On PC Board Drawings, Square Pad Indicates:
 - a. Polarized Capacitors — Positive
 - b. Diode Cathode
 - c. Others — Pin 1
6. **WARNING:**
Parts marked with the symbol  have critical characteristics. Use ONLY replacement parts recommended by the manufacturer.

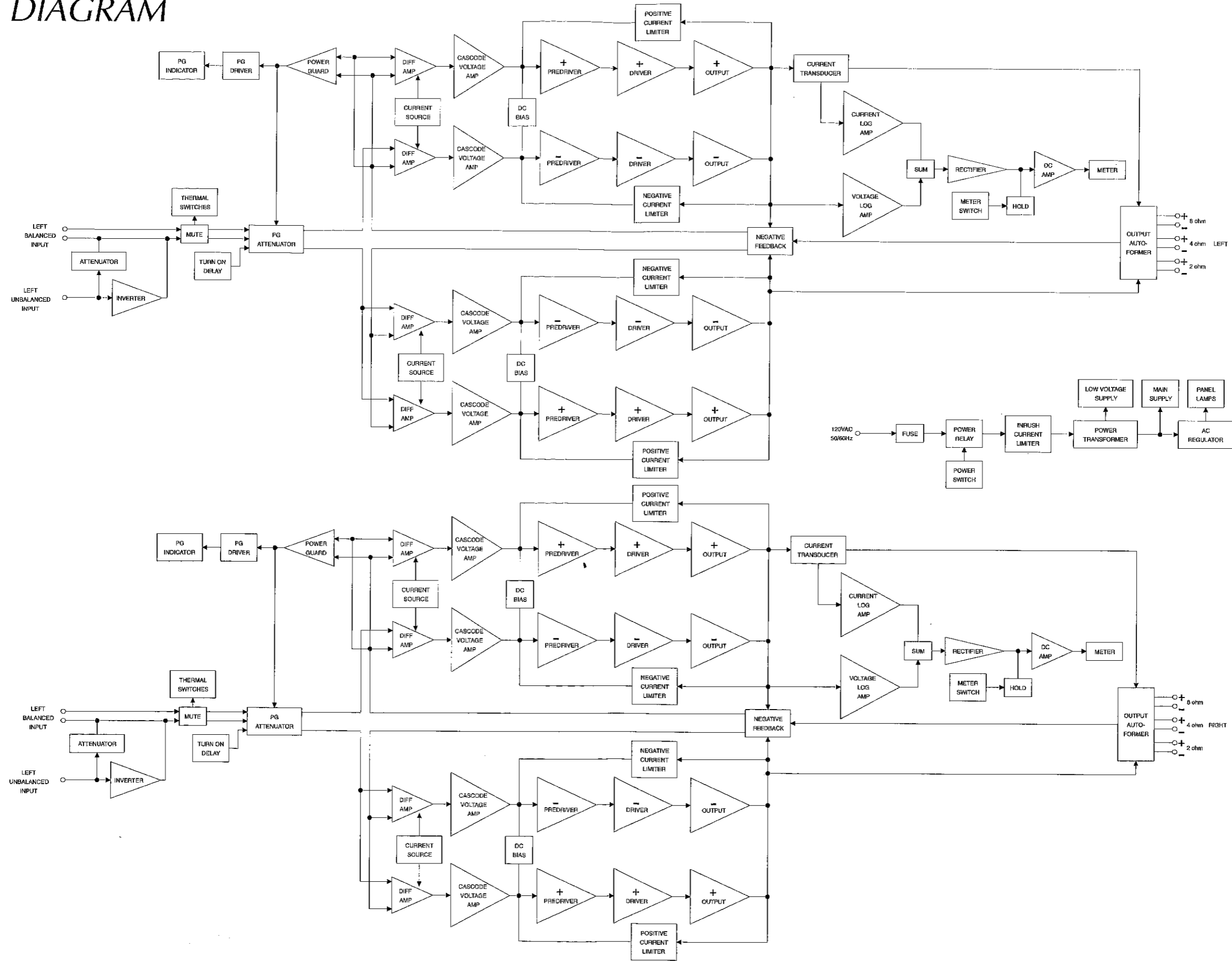
REAR PANEL



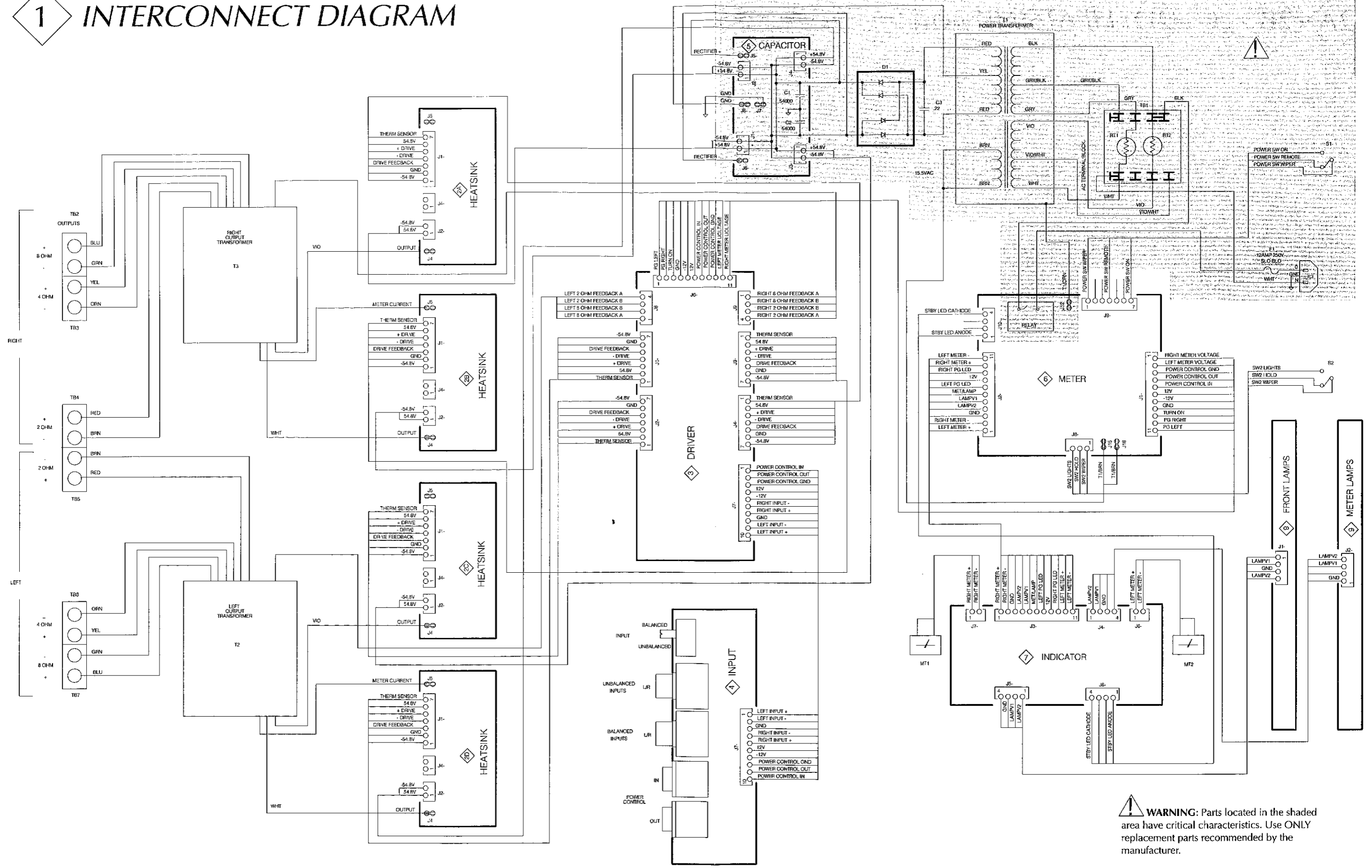
SECTION LOCATIONS



BLOCK DIAGRAM



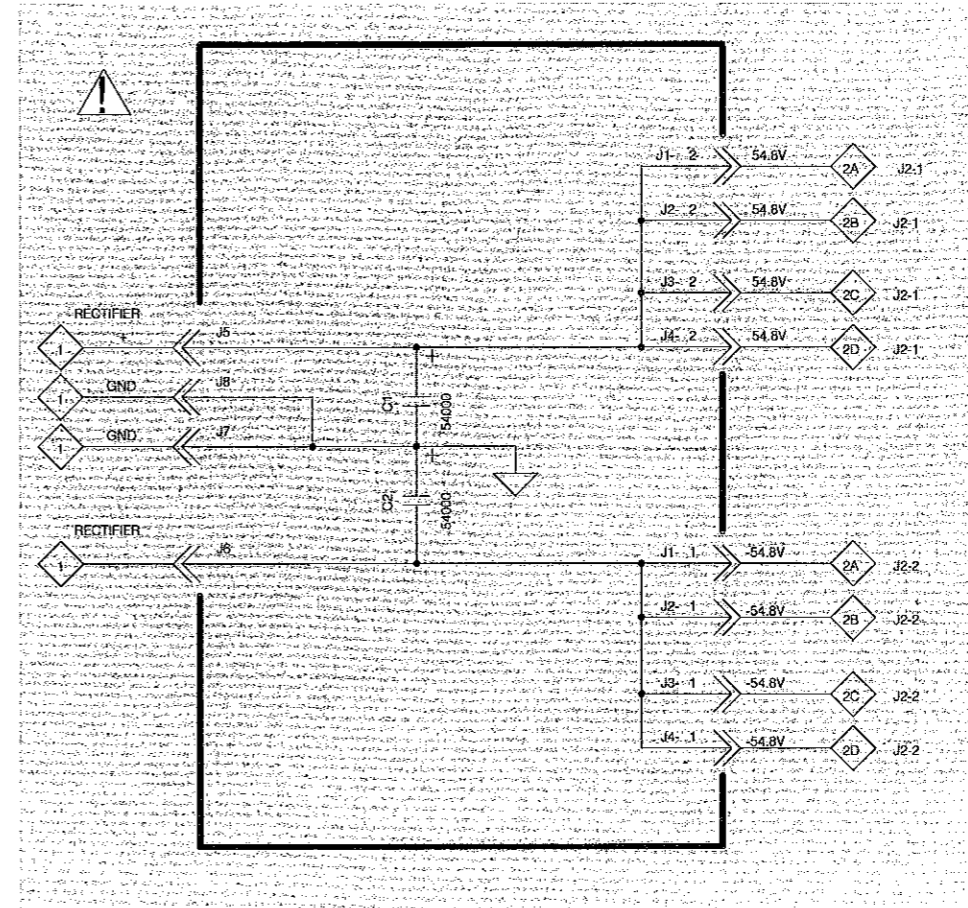
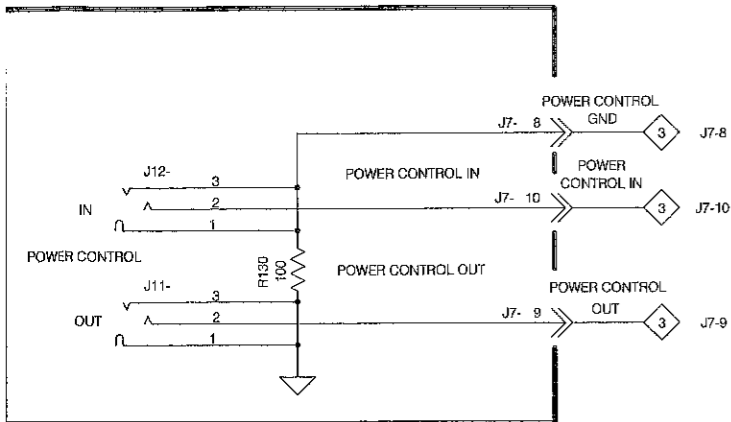
1 INTERCONNECT DIAGRAM



⚠ WARNING: Parts located in the shaded area have critical characteristics. Use ONLY replacement parts recommended by the manufacturer.

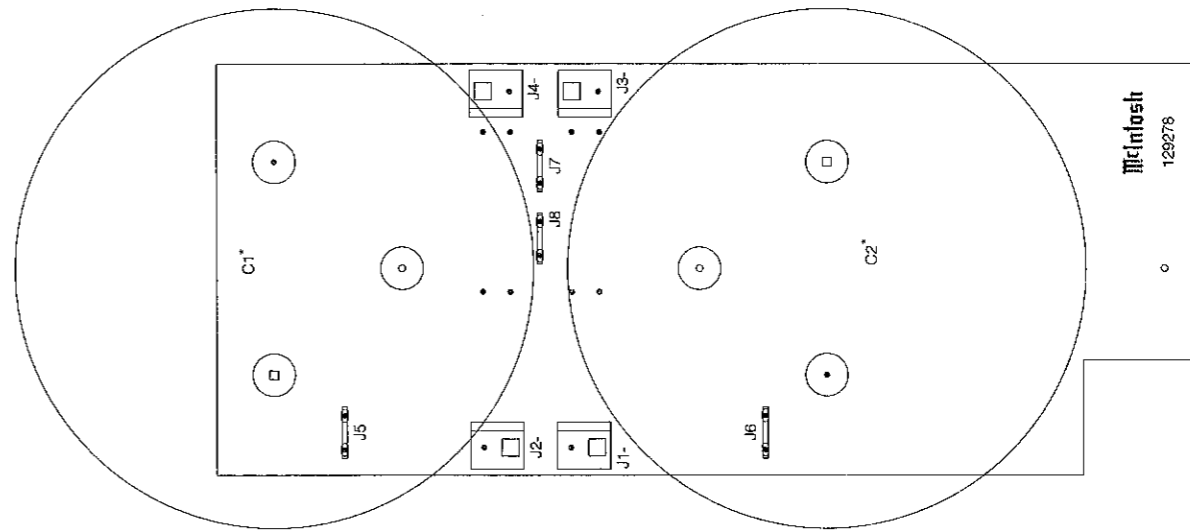
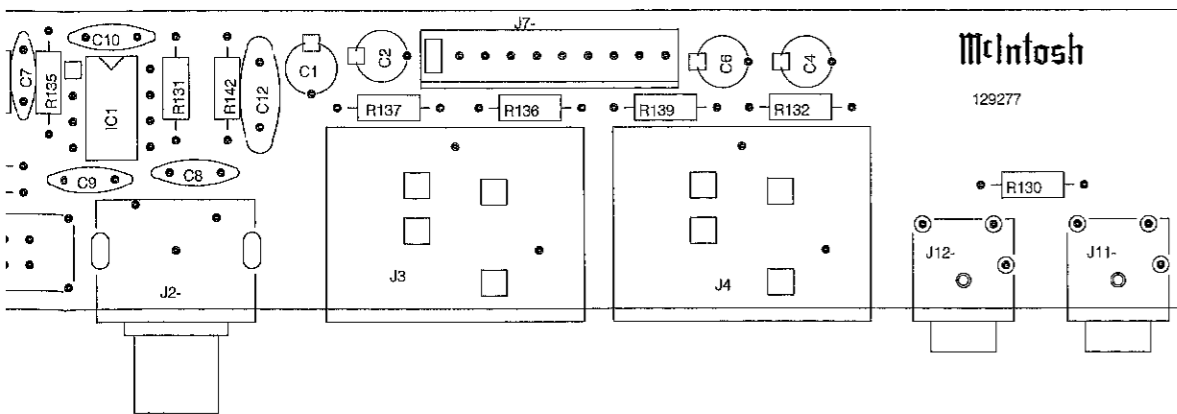
5 CAPACITOR 049216

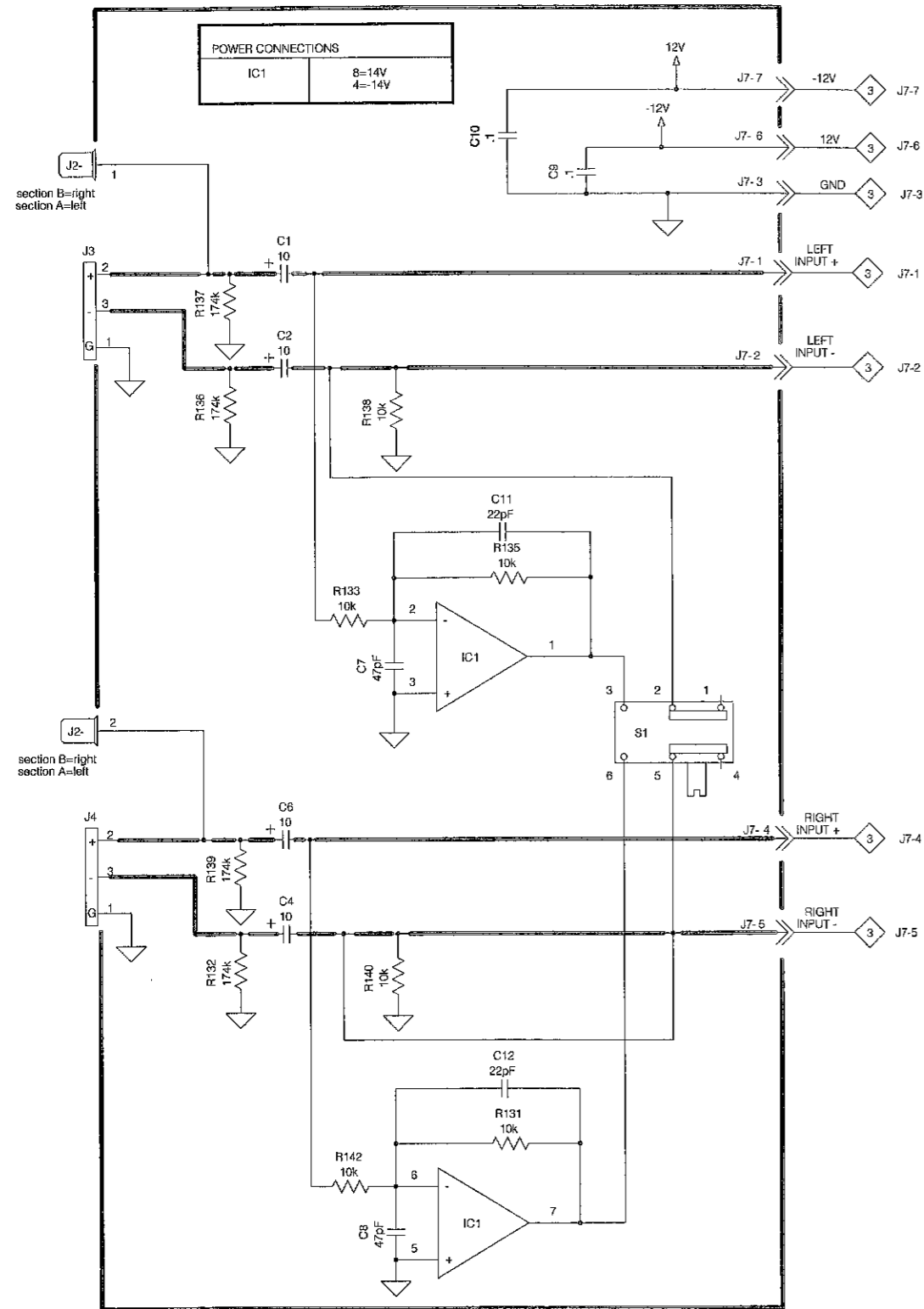
⚠ WARNING: Parts located in the shaded area have critical characteristics. Use **ONLY** replacement parts recommended by the manufacturer.



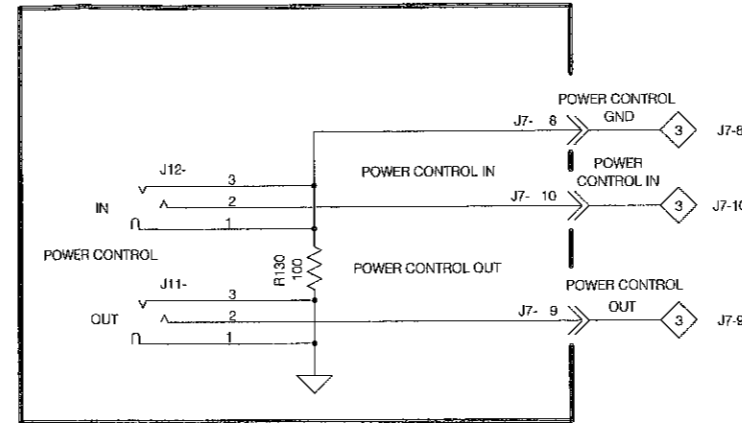
5 PCB 049216

> PCB 049222

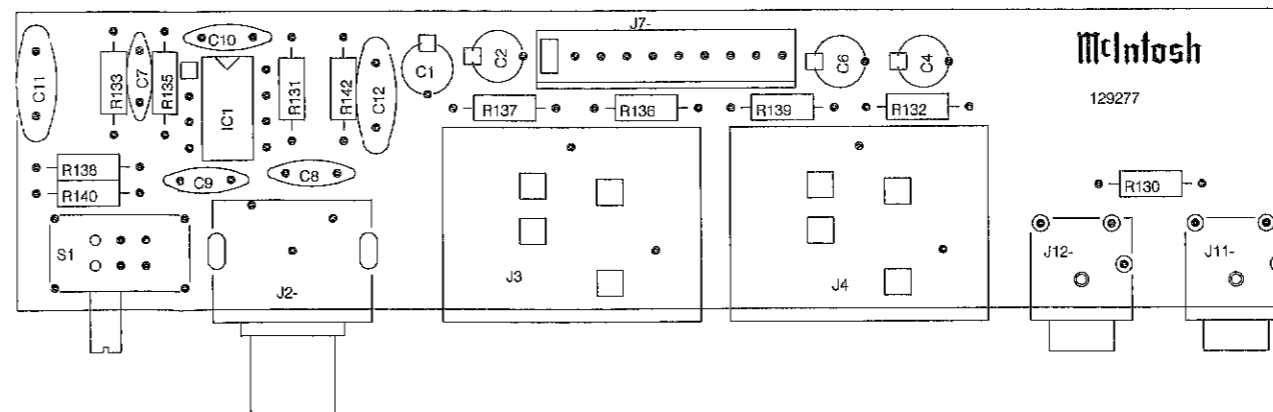




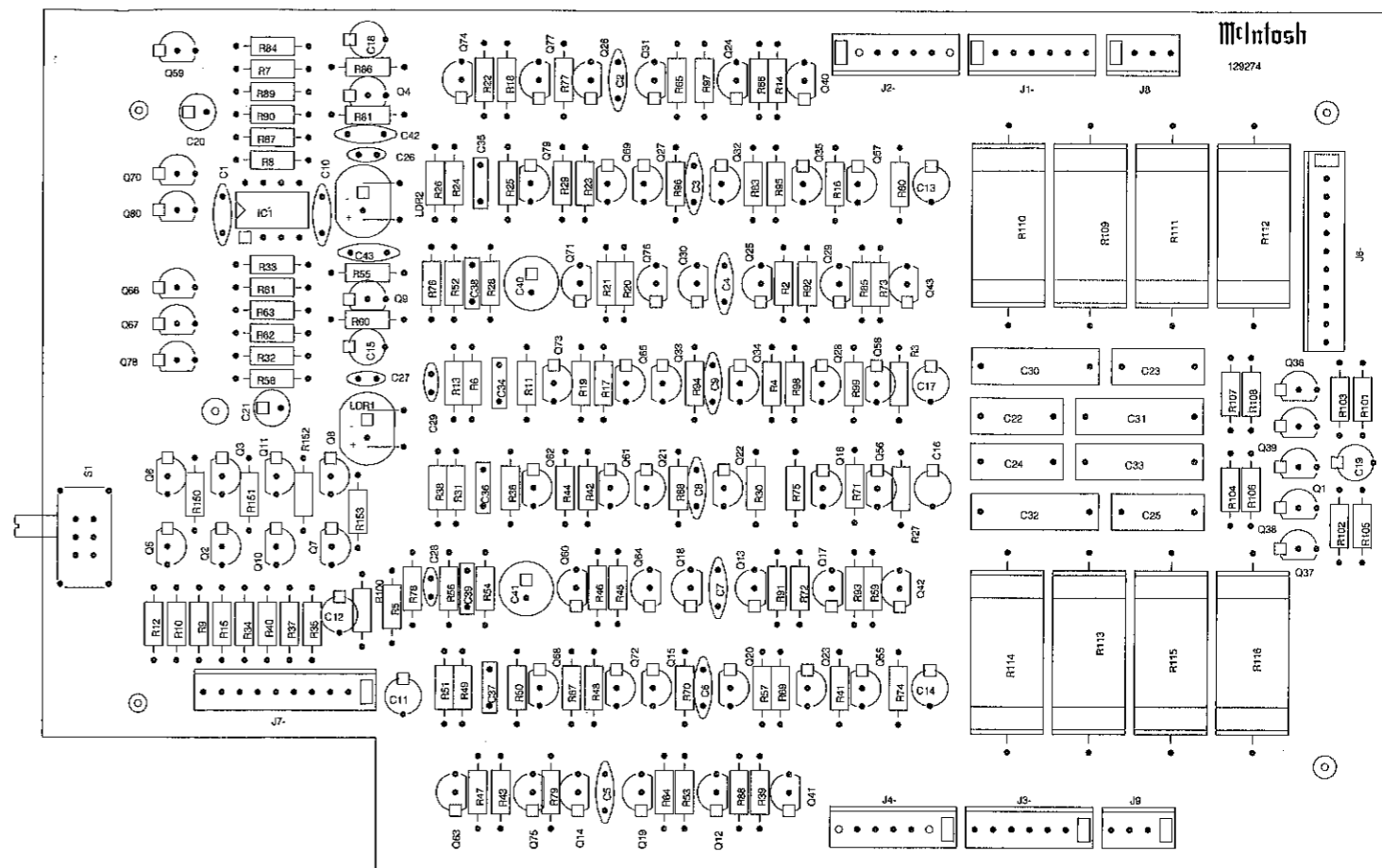
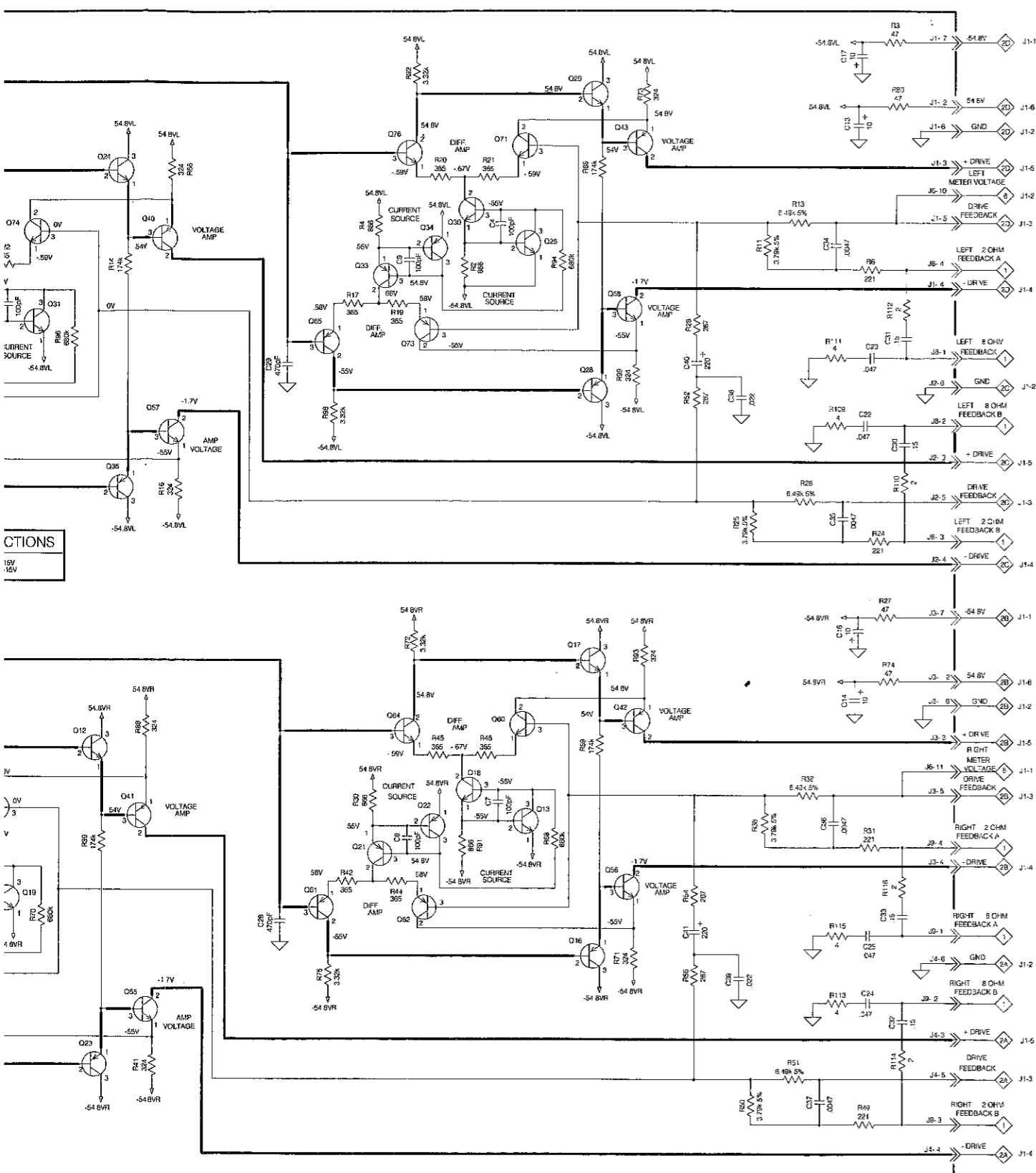
WARNING: Parts located in the shaded area have critical characteristics. Use ONLY replacement parts recommended by the manufacturer.

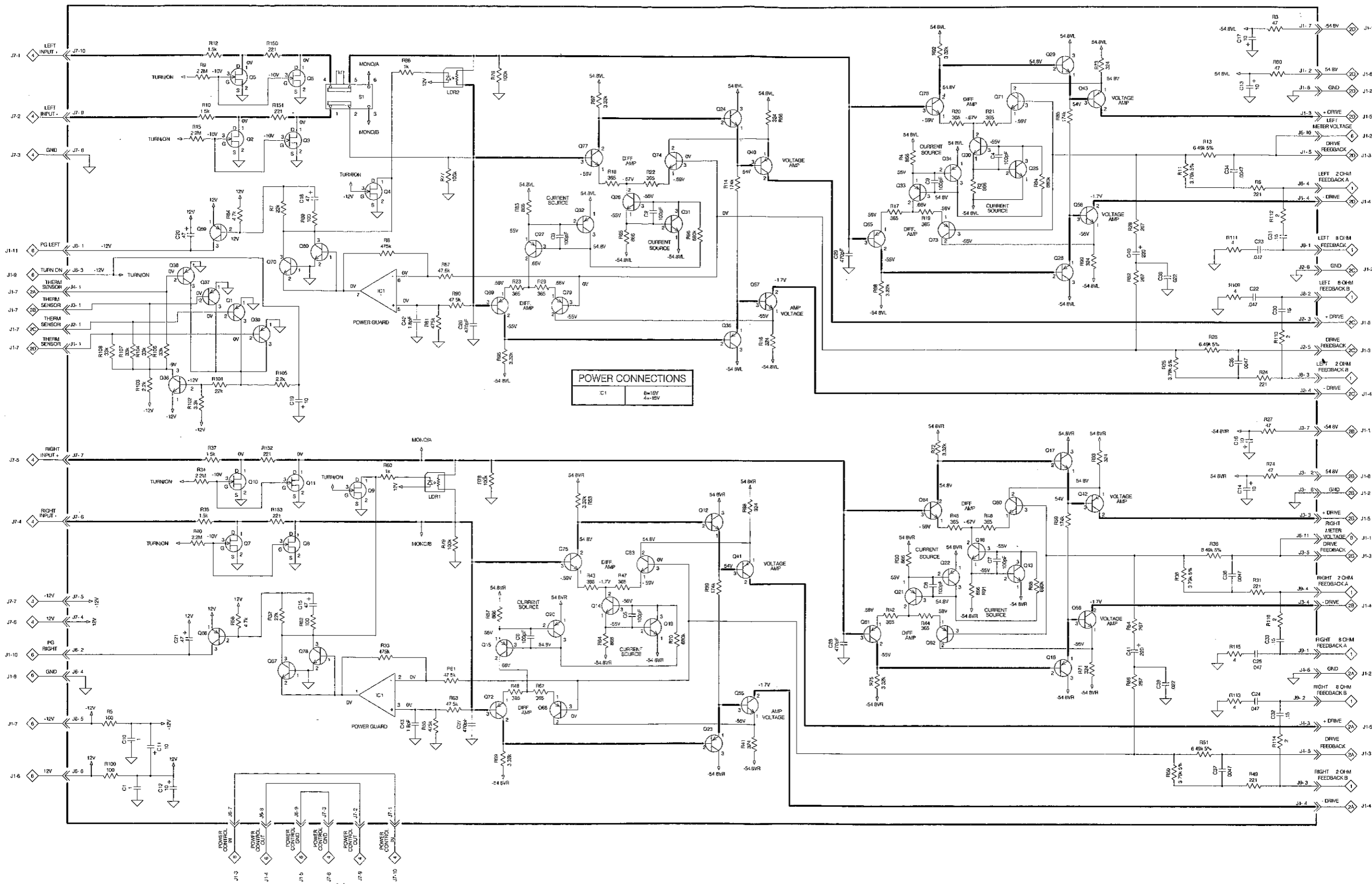


4 PCB 049222



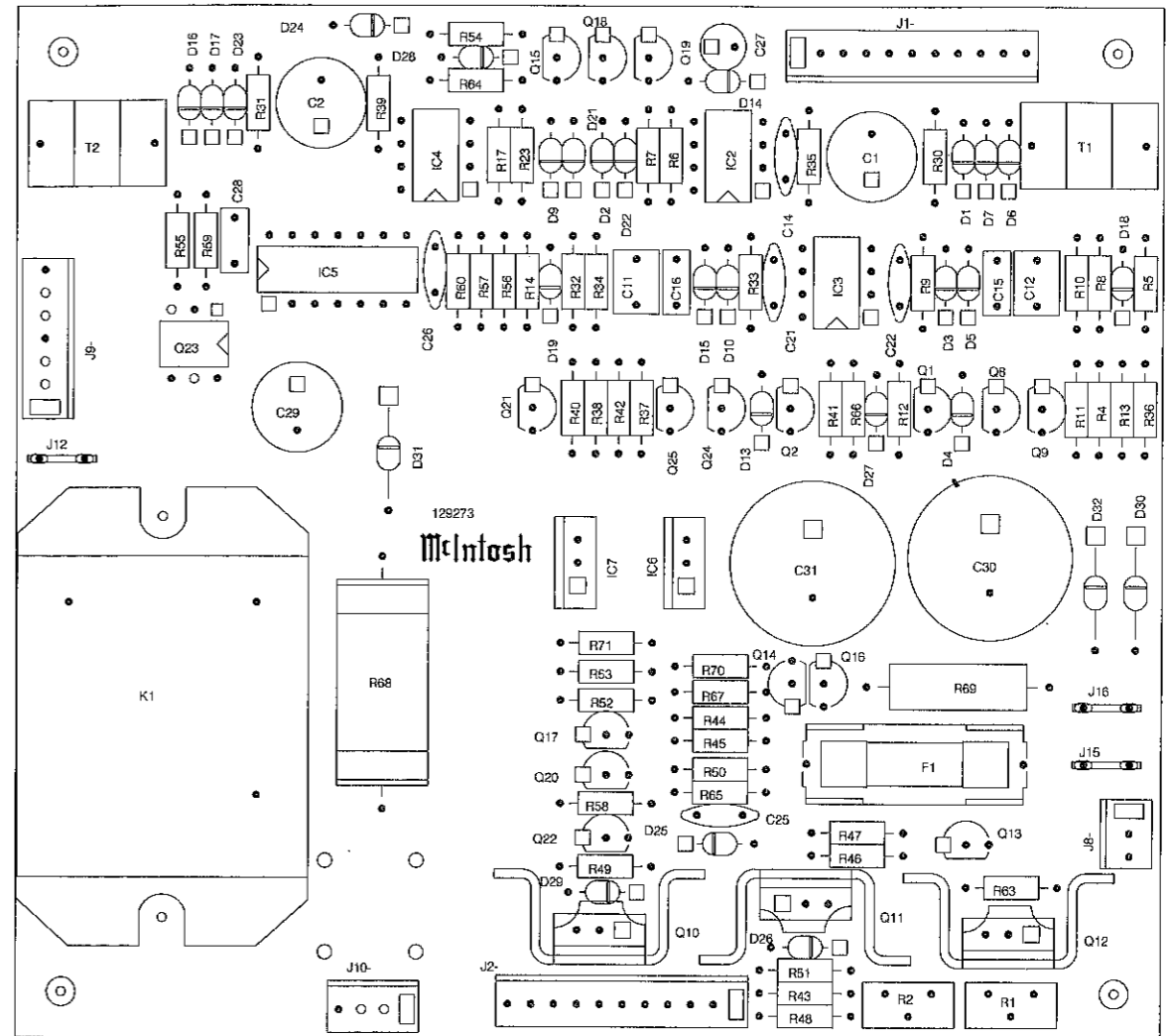
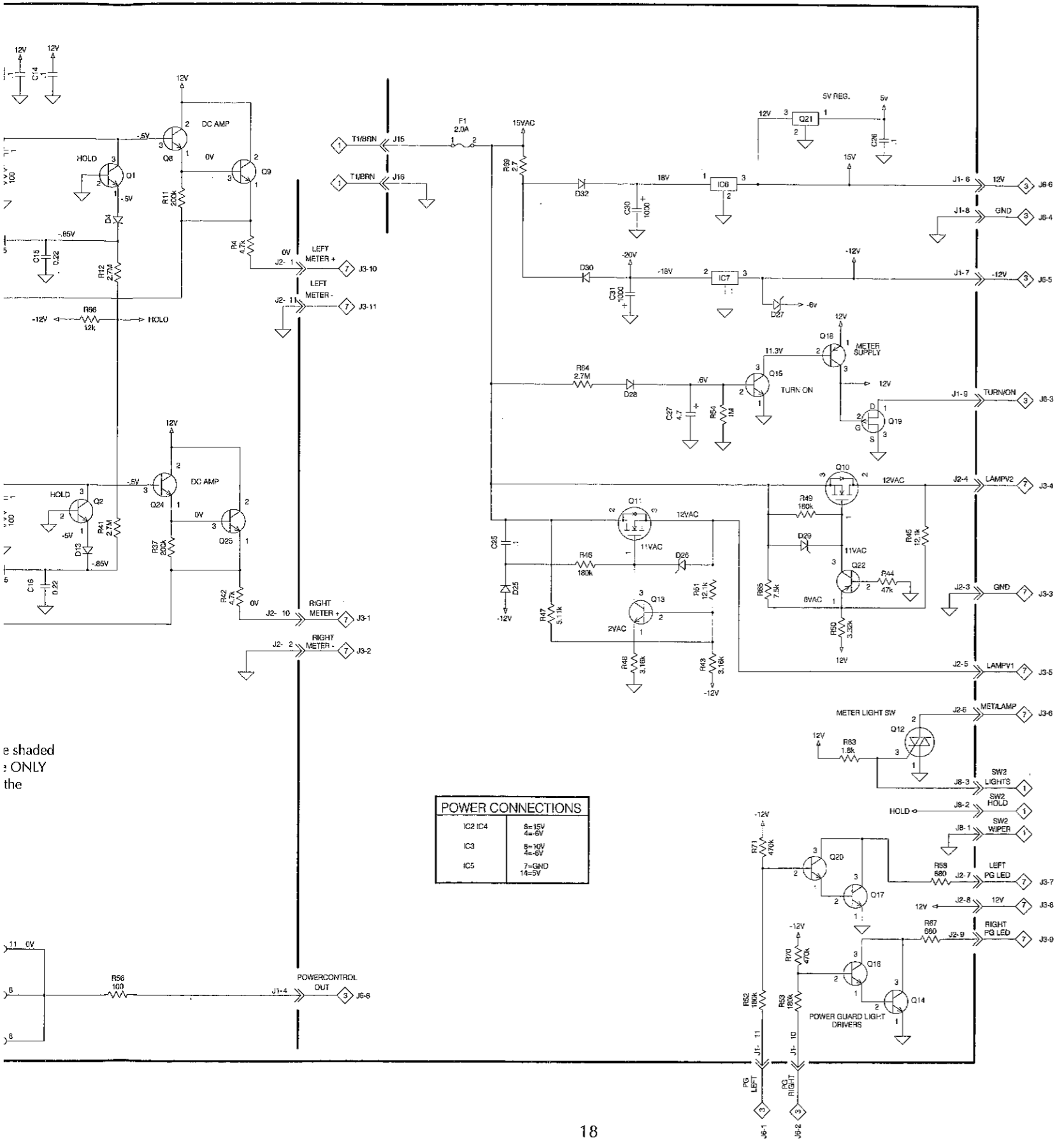
3 PCB 049219



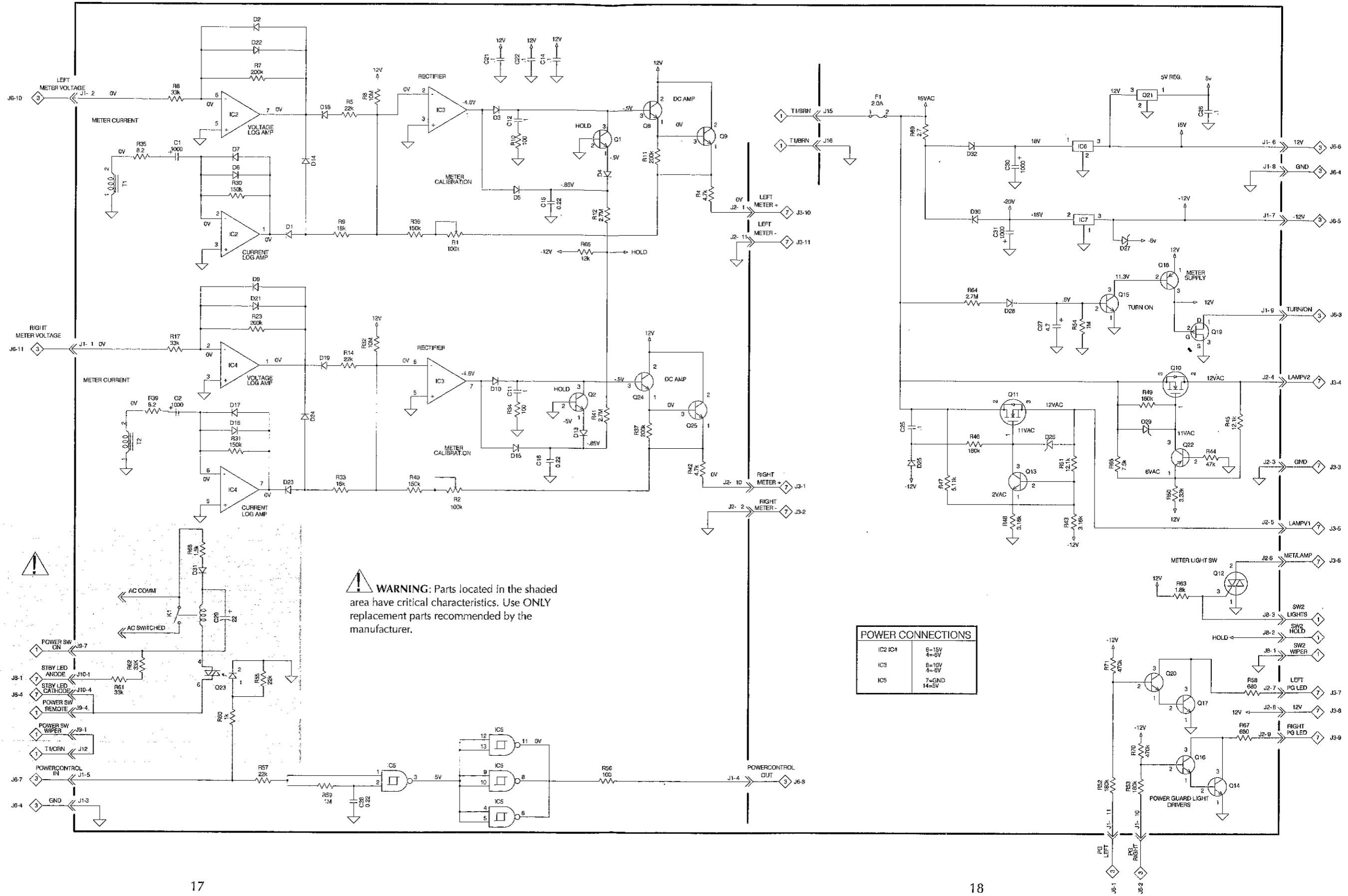


POWER CONNECTIONS

IC1	6+16V
	4+-16V



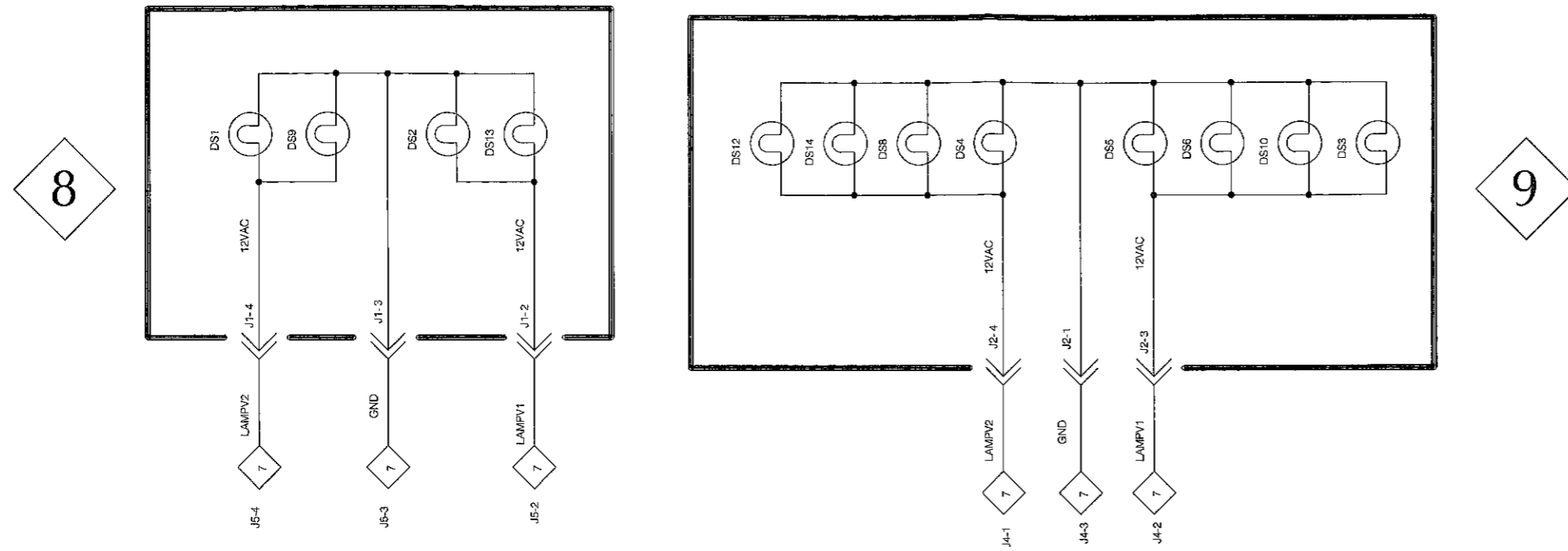
the shaded
ONLY
the



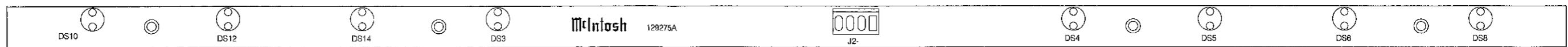
WARNING: Parts located in the shaded area have critical characteristics. Use ONLY replacement parts recommended by the manufacturer.

POWER CONNECTIONS	
IC2 IC4	8=15V 4=-6V
IC3	8=10V 4=-6V
IC5	7=GND 14=5V

8 9 *LAMPS* 049218

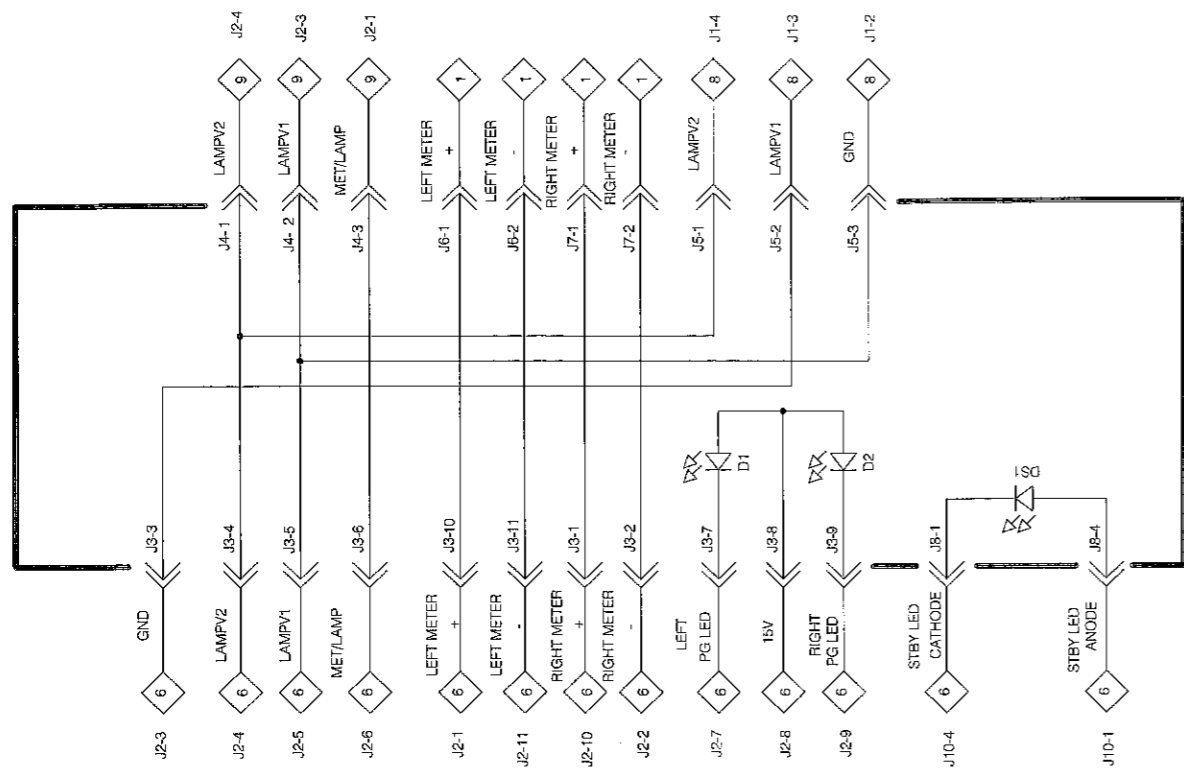


9 *METER LAMPS PCB* 049218

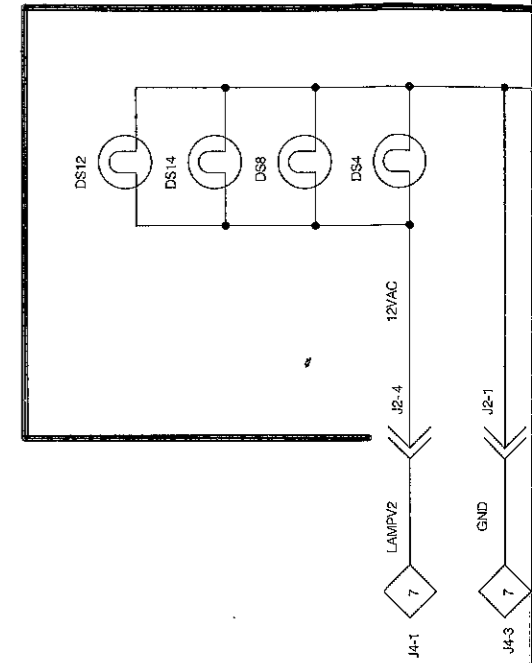
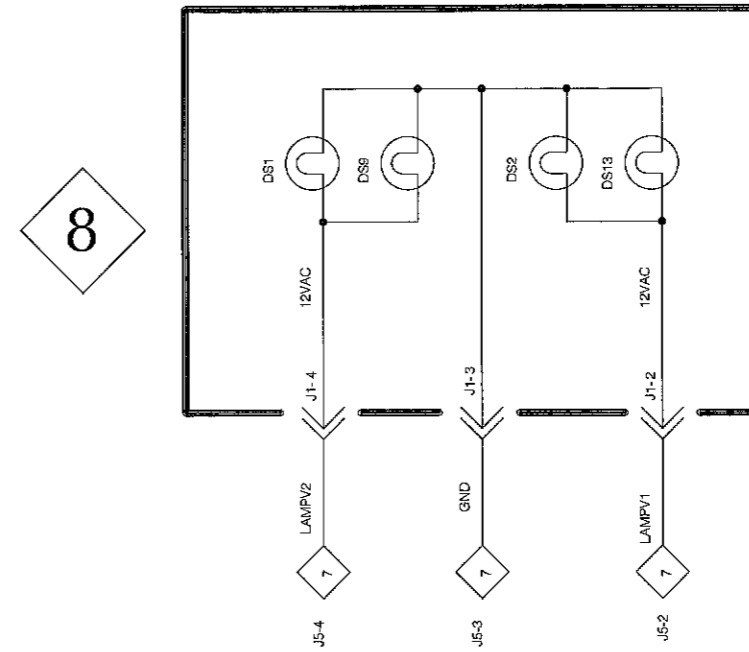


8 *FRONT LAMPS PCB* 049218

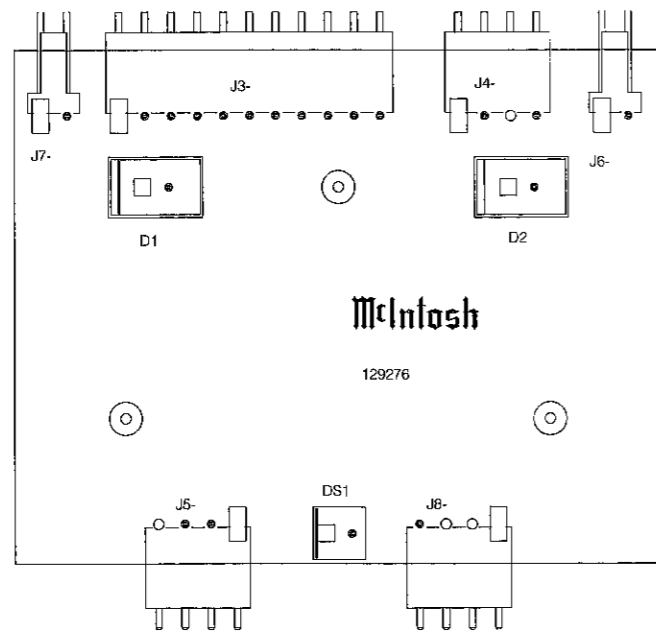
7 INDICATOR 049217



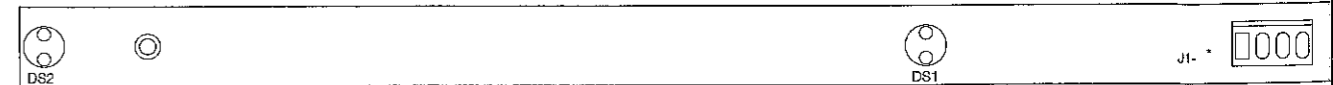
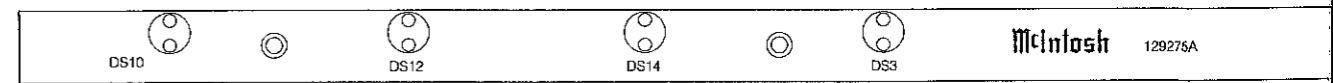
8 9 LAMPS 049218



7 PCB 049217



9 METER LAMPS PCB 049218



8 FRONT LAMPS PCB 049218

	REFERENCE NO.	PART NO.	DESCRIPTION	REFERENCE NO.
50V	C30 C31 C32 C33	144113	RES MF 100K 1% 1/4W	R76 R77 R78 R79
0V	C22 C23 C24 C25	144121	METAL FILM RES:2.67K 1% 1/4W	R11 R25 R38 R50
JM	C20 C21	144128	RES MF 1.5K 1% 1/4W	R10 R12 R35 R37
DIRT CAN	C40 C41	144172	RES MF 221 OHMS 1% 1/4W	R6 R17 R18 R19 R20
AMMO PACK	C15 C18			R21 R22 R23 R24
AMMO	C11 C12 C13 C14			R28 R29 R31 R42
	C16 C17 C19			R43 R44 R45 R46
	J8 J9			R47 R48 R49 R52
	J1- J2- J3- J4-			R54 R56 R67 R150
	J7-			R151 R152 R153
	J6-	144172	RES MF 221 OHMS 1% 1/4W	R6 R24 R31 R49
	Q2 Q3 Q4 Q5 Q6			R150 R151 R152
	Q7 Q8 Q9 Q10 Q11			R153
4 2K/REEL	Q12 Q13 Q17 Q19	144173	RES MF 267 OHM 1% 1/4W	R28 R52 R54 R56
	Q24 Q25 Q29 Q31	144179	RESISTOR LDR VTL5C9	LDR1 LDR2
	Q36 Q67 Q70 Q78	144338	RES MF 324 OHM 1% 1/4W	R16 R41 R66 R71
	Q80			R73 R88 R93 R99
26 2K/R	Q1 Q16 Q20 Q22	144352	RES MF 174K 1% 1/4W	R14 R39 R59 R85
	Q23 Q28 Q32 Q34	144364	RES MF 475K 1% 1/4W	R8 R33 R55 R81
	Q35 Q37 Q38 Q39	144398	RES MF 3.79K 0.5%	R11 R25 R38 R50
	Q59 Q66	144401	RES MF 6.49K .5% 1/4W	R13 R26 R36 R51
	Q14 Q18 Q26 Q30	148059	SLIDE SWITCH	S1
	Q60 Q63 Q64 Q71			
	Q74 Q75 Q76 Q77			
K	Q15 Q21 Q27 Q33	049222 INPUT		C11 C12
	Q61 Q62 Q65 Q68	061191	DISC CAP:22PF,10%,NPO 50V	C7 C8
	Q69 Q72 Q73 Q79	061196	DISC CAP:47PF,20%,N470 50V	C9 C10
	Q40 Q41 Q42 Q43	061248	DISC CAP:1MF,25V,Y5T	C1 C2 C4 C6
	Q55 Q56 Q57 Q58	066445	ELECT CAP 10MF, 50V AMMO PACK	J7-
	IC1	117219	MALE CONN:10 POS	J2-
LIFIER	IC1	117436	PJ261G PHON JACK, GOLD	J11- J12-
15% 1/4W	R3 R27 R74 R80	117494	MINI JACK	J3 J4
/	R110 R112 R114	117685	XLR RECEPTACLE FEMALE	IC1
	R116	133260	DUAL OPERATIONAL AMPLIFIER	R130
	R109 R111 R113	141025	RES CF 100 5% 1/4W	R131 R133 R135
	R115	144053	RES MF 10K 1% 1/4W	R138 R140 R142
	R5 R62 R89 R100			R132 R136 R137
	R60 R86			R139
	R103 R105	144352	RES MF 174K 1% 1/4W	S1
	R102			
	R58 R84			
	R7 R32 R101	049216 CAPACITOR		J1- J2- J3- J4-
	R104 R106 R107	117404	HEADER 2-PIN 0.156	J5 J6 J7 J8
	R108	117708	FASTON BLADE W/FEET	
	R68 R70 R94 R96			
	R9 R15 R34 R40	049215 METER		C14 C21 C22 C25
	R2 R4 R30 R57 R64	061248	DISC CAP:1MF,25V,Y5T	C26
	R65 R83 R91			C15 C16 C28
	R17 R18 R19 R20	064329	CAP M POLY .22UF 5% 63VDC	C11 C12
	R21 R22 R23 R29	064337	POLY CAP 1MF 5% 50V	C27
	R42 R43 R44 R45	066289	CAP ELECT 4.7UF 10% 25V	C1 C2
	R46 R47 R48 R67	066309	CAP ELECT 1000UF 10V	C30 C31
	R53 R69 R72 R75	066361	CAP ELECT 1000UF 20% 35V	C29
	R92 R95 R97 R98	066390	CAP ELECT 22UF 100V	
	R61 R63 R87 R90			

	REFERENCE NO.	PART NO.	DESCRIPTION	REFERENCE NO.
		070047	SILICON DIODE 1N4148 T&R	D1 D2 D3 D4 D5
				D6 D7 D9 D10 D13
				D14 D15 D16 D17
				D18 D19 D21 D22
				D23 D24 D25 D28
		070085	ZENER DIODE 6.2V 5% 500MW	D27
		070114	ZENER DIODE 16V 5% 500MW	D26 D29
		070131	DIODE RECTIFIER	D30 D31 D32
		087049	RELAY 48VDC VFB48HU ITT TAKAMI	K1
		089089	FUSE 2A SLO-BLO 5X20	F1
		117214	MALE CONN 3-POS MTS100 NORMAL	J8-
		117215	4-PIN CONNECTOR	J10-
		117217	MALE CONN:7 PIN	J9-
		117279	11-POS. MALE CONN.	J1- J2-
		117342	1/4IN FASTON BLADE	J12 J15 J16
		131021	TRIAC 8A 200V	Q12
		131024	TRIAC OPTOCOUPLER	Q23
		132223	TRANSISTOR NPN MPS4124 2K/REEL	Q1 Q2 Q13 Q14
				Q15 Q16 Q17 Q20
		132224	TRANSISTOR PNP SI MPS4126 2K/R	Q18 Q22
		132226	TRANSISTOR:P.CHANNEL JUNC.FET	Q19
		132242	TRANSISTOR:POWER N-CHN	Q10 Q11
				Q8 Q9 Q24 Q25
		132254	TRANSISTOR:NPN	Q21
		133093	IC REGULATOR +5 VOLT	IC7
		133155	IC REGULATOR -12V	IC6
		133156	IC REGULATOR 12V	IC2 IC4
		133189	IC OPERATIONAL AMPLIFIER	IC5
		133192	IC NAND SCHMIT 2-IN X 4	IC3
		133260	DUAL OPERATIONAL AMPLIFIER	R1 R2
		134383	TRIM POT 100K OHM 20%	R68
		139079	WIRE RES:1.5K 10% 5W	R69
		139218	2.7 OHM 2W 5% WW RESISTOR FP	R35 R39
		141023	RES CF 8.2 5% 1/4W	R10 R34 R56
		141025	RES CF 100 5% 1/4W	R58 R67
		141045	RES CF 680 5% 1/4W	R60
		141049	RES CF 1.0K 5% 1/4W	R63
		141055	RES CF 1.8K 5% 1/4W	R4 R42
		141064	RES CF 4.7K 5% 1/4W	R66
		141074	RES CF 12K 5% 1/4W	R9 R33
		141078	RES CF 18K 5% 1/4W	R5 R14 R55 R57
		141080	RES CF 22K 5% 1/4W	R6 R17 R61 R62
		141084	RES CF 33K 5% 1/4W	R44
		141088	RES CF 47K 5% 1/4W	R30 R31 R36 R40
		141100	RES CF 150K 5% 1/4W	R46 R49 R52 R53
		141102	RES CF 180K 5% 1/4W	R7 R11 R23 R37
		141103	RES CF 200K 5% 1/4W	R70 R71
		141112	RES CF 470K 5% 1/4W	R54 R59
		141120	RES CF 1.0M 5% 1/4W	R12 R41 R64
		141125	RES CF 2.7M 5% 1/4W	R8 R32
		141132	RES CF 10M 5% 1/4W	R47
		144083	RES MF 5.11K 1% 1/4W	R50
		144095	RES MF 3.32K 1% 1/4W	R45 R51
		144154	RES MF 12.1K 1% 1/4W	

PARTS LIST

PART NO.	DESCRIPTION	REFERENCE NO.	PART NO.	DESCRIPTION	REFERENCE NO.	PART NO.	DESCRIPTION	REFERENCE NO.	PART NO.	DESCRIPTION
INTERCONNECT			064363	POLYPROPY CAP 0.15MF 250V	C30 C31 C32 C33	144113	RES MF 100K 1% 1/4W	R76 R77 R78 R79	070047	SILICON DIODE 1
049223	MC352 POWER TRANSFORMER	T1	064364	POLYPROPY CAP.047MF 250V	C22 C23 C24 C25	144121	METAL FILM RES:2.67K 1% 1/4W	R11 R25 R38 R50		
049224	MC352 OUTPUT TRANSFORMER	T2 T3	066244	CAP ELECT 0.47UF 50V ALUM	C20 C21	144128	RES MF 1.5K 1% 1/4W	R10 R12 R35 R37		
052005	.22uF CAPACITOR	C3	066330	CAP ELECT 220UF 16V SHORT CAN	C40 C41	144172	RES MF 221 OHMS 1% 1/4W	R6 R17 R18 R19 R20		
052008	THERMISTER	RT1 RT2	066446	ELECT CAP 47MF, 35V AMMO PACK	C15 C18			R21 R22 R23 R24		
066480	54000uF 75VDC	C1 C2	066462	ELECT CAP:10 UF 100VDC AMMO	C11 C12 C13 C14			R28 R29 R31 R42	070085	ZENER DIODE 6.2
070139	BRIDGE RECTIFIER	D1			C16 C17 C19			R43 R44 R45 R46	070114	ZENER DIODE 16V
074091	AC TERMINAL BLOCK	TB1	117215	4-PIN CONNECTOR	J8 J9			R47 R48 R49 R52	070131	DIODE RECTIFIER
084124	5 WAY BINDING POST	TB2 TB3 TB4 TB5	117217	MALE CONN:7 PIN	J1- J2- J3- J4-			R54 R56 R67 R150	087049	RELAY 48VDC VFB
		TB6 TB7	117219	MALE CONN:10 POS	J7-			R151 R152 R153	089089	FUSE 2A SLO-BLO
089112	12AMP 250V SLO BLO	F1	117279	11-POS. MALE CONN.	J6-	144172	RES MF 221 OHMS 1% 1/4W	R6 R24 R31 R49	117214	MALE CONN 3-PO
146243	POWER/METER SWITCH	S1 S2	132222	N. CHANNEL FET	Q2 Q3 Q4 Q5 Q6			R150 R151 R152	117215	4-PIN CONNECTO
					Q7 Q8 Q9 Q10 Q11			R153	117217	MALE CONN:7 PIN
					Q12 Q13 Q17 Q19	144173	RES MF 267 OHM 1% 1/4W	R28 R52 R54 R56	117279	11-POS. MALE CO
					Q24 Q25 Q29 Q31	144179	RESISTOR LDR VTL5C9	LDR1 LDR2	117342	1/4IN FASTON BLA
					Q36 Q67 Q70 Q78	144338	RES MF 324 OHM 1% 1/4W	R16 R41 R66 R71	131021	TRIAC 8A 200V
					Q80			R73 R88 R93 R99	131024	TRIAC OPTOCOUP
			132223	TRANSISTOR NPN MPS4124 2K/REEL	Q1 Q16 Q20 Q22	144352	RES MF 174K 1% 1/4W	R14 R39 R59 R85	132223	TRANSISTOR NPN
					Q23 Q28 Q32 Q34	144364	RES MF 475K 1% 1/4W	R8 R33 R55 R81		
			132224	TRANSISTOR PNP SI MPS4126 2K/R	Q35 Q37 Q38 Q39	144398	RES MF 3.79K 0.5%	R11 R25 R38 R50	132224	TRANSISTOR PNP
					Q59 Q66	144401	RES MF 6.49K .5% 1/4W	R13 R26 R36 R51	132226	TRANSISTOR:P:CH
			132254	TRANSISTOR:NPN	Q14 Q18 Q26 Q30	148059	SLIDE SWITCH	S1	132242	TRANSISTOR:POV
					Q60 Q63 Q64 Q71					ENHANCE
					Q74 Q75 Q76 Q77				132254	TRANSISTOR:NPN
			132255	TRANSISTOR:PNP 2SA1016K	Q15 Q21 Q27 Q33	049222 INPUT			133093	IC REGULATOR +5
					Q61 Q62 Q65 Q68	061191	DISC CAP:22PF,10%,NPO 50V	C11 C12	133155	IC REGULATOR -1
					Q69 Q72 Q73 Q79	061196	DISC CAP:47PF,20%,N470 50V	C7 C8	133156	IC REGULATOR 12
					Q40 Q41 Q42 Q43	061248	DISC CAP:1MF,25V,Y5T	C9 C10	133189	IC OPERATIONAL
			132261	TRANSISTOR PNP	Q55 Q56 Q57 Q58	066445	ELECT CAP 10MF, 50V AMMO PACK	C1 C2 C4 C6	133192	IC NAND SCHMIT
			132262	TRANSISTOR NPN	IC1	117219	MALE CONN:10 POS	J7-	133260	DUAL OPERATION
			133259	DUAL OP AMP 4558	IC1	117436	PJ261G PHON JACK, GOLD	J2-	134383	TRIM POT 100K O
			133260	DUAL OPERATIONAL AMPLIFIER	IC1	117494	MINI JACK	J11- J12-	139079	WIRE RES:1.5K 10%
			137042	FLAMEPROOF RES 47 OHM 5% 1/4W	R3 R27 R74 R80	117685	XLR RECEPTACLE FEMALE	J3 J4	139218	2.7 OHM 2W 5% V
			139005	WIRE RES:2 OHMS 10% 5W	R110 R112 R114	133260	DUAL OPERATIONAL AMPLIFIER	IC1	141023	RES CF 8.2 5% 1/4
					R116	141025	RES CF 100 5% 1/4W	R130	141025	RES CF 100 5% 1/4
			139119	WIRE RES:4 OHMS 5% 5W	R109 R111 R113	144053	RES MF 10K 1% 1/4W	R131 R133 R135	141045	RES CF 680 5% 1/4
					R115			R138 R140 R142	141049	RES CF 1.0K 5% 1/4
					R5 R62 R89 R100			R132 R136 R137	141055	RES CF 1.8K 5% 1/4
			141025	RES CF 100 5% 1/4W	R60 R86	144352	RES MF 174K 1% 1/4W	R139	141064	RES CF 4.7K 5% 1/4
			141049	RES CF 1.0K 5% 1/4W	R103 R105			S1	141074	RES CF 12K 5% 1/4
			141057	RES CF 2.2K 5% 1/4W	R102	049216 CAPACITOR			141078	RES CF 18K 5% 1/4
			141060	RES CF 3.3K 5% 1/4W	R58 R84	117404	HEADER 2-PIN 0.156	J1- J2- J3- J4-	141080	RES CF 22K 5% 1/4
			141064	RES CF 4.7K 5% 1/4W	R7 R32 R101	117708	FASTON BLADE W/FEET	J5 J6 J7 J8	141084	RES CF 33K 5% 1/4
			141080	RES CF 22K 5% 1/4W	R104 R106 R107				141088	RES CF 47K 5% 1/4
			141084	RES CF 33K 5% 1/4W	R108	049215 METER			141100	RES CF 150K 5% 1/4
					R68 R70 R94 R96	061248	DISC CAP:1MF,25V,Y5T	C14 C21 C22 C25	141102	RES CF 180K 5% 1/4
					R9 R15 R34 R40			C26	141103	RES CF 200K 5% 1/4
			144028	RES MF 866 1% 1/4W	R2 R4 R30 R57 R64	064329	CAP M POLY .22UF 5% 63VDC	C15 C16 C28	141112	RES CF 470K 5% 1/4
					R65 R83 R91	064337	POLY CAP 1MF 5% 50V	C11 C12	141120	RES CF 1.0M 5% 1/4
			144071	RES MF 365 1% 1/4W	R17 R18 R19 R20	066289	CAP ELECT 4.7UF 10% 25V	C27	141125	RES CF 2.7M 5% 1/4
					R21 R22 R23 R29	066309	CAP ELECT 1000UF 10V	C1 C2	141132	RES CF 10M 5% 1/4
					R42 R43 R44 R45	066361	CAP ELECT 1000UF 20% 35V	C30 C31	144083	RES MF 5.11K 1%
			144095	RES MF 3.32K 1% 1/4W	R46 R47 R48 R67	066390	CAP ELECT 22UF 100V	C29	144095	RES MF 3.32K 1%
					R53 R69 R72 R75				144154	RES MF 12.1K 1%
			144108	RES MF 47.5K 1% 1/4W	R92 R95 R97 R98					
					R61 R63 R87 R90					

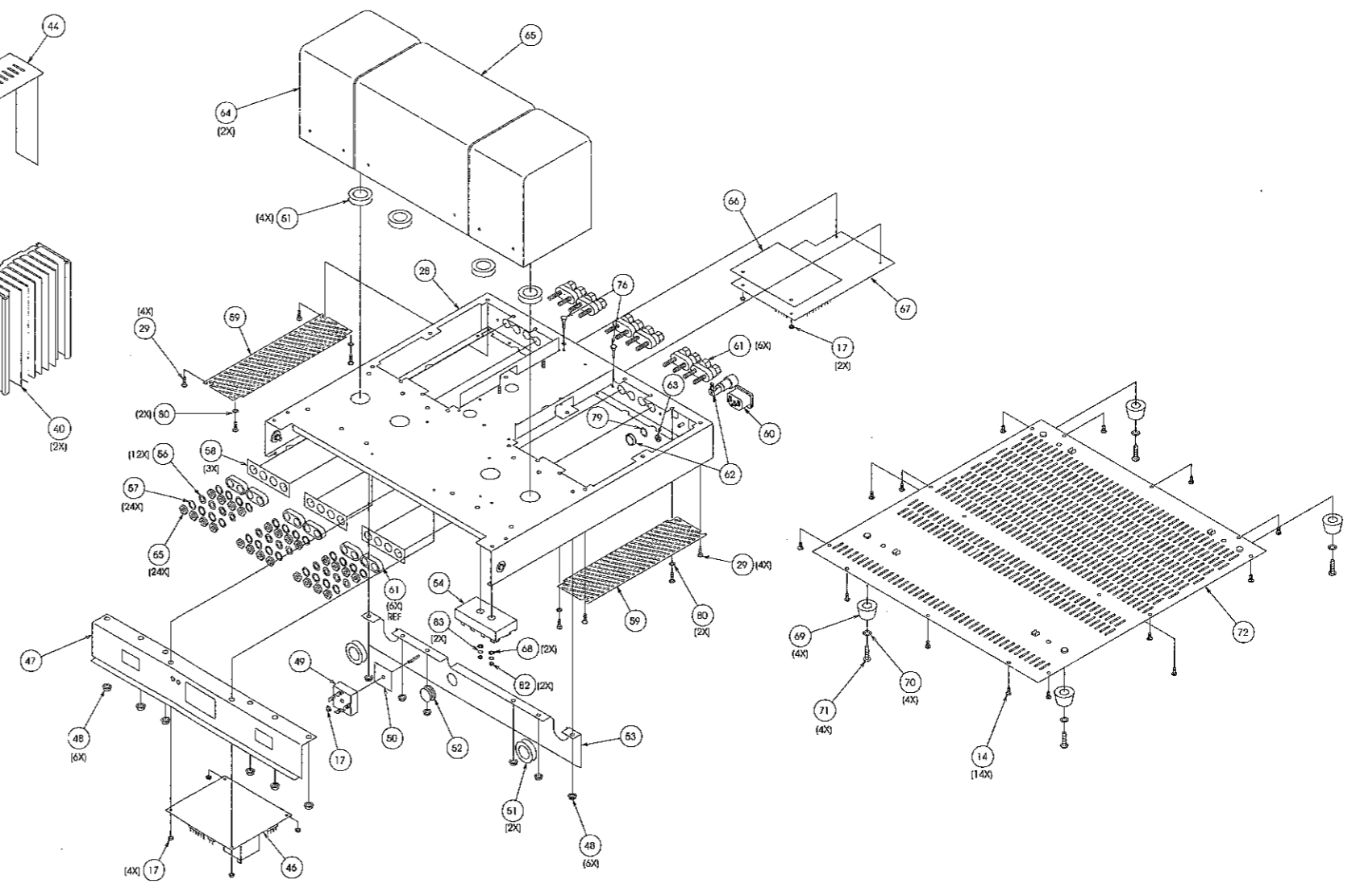
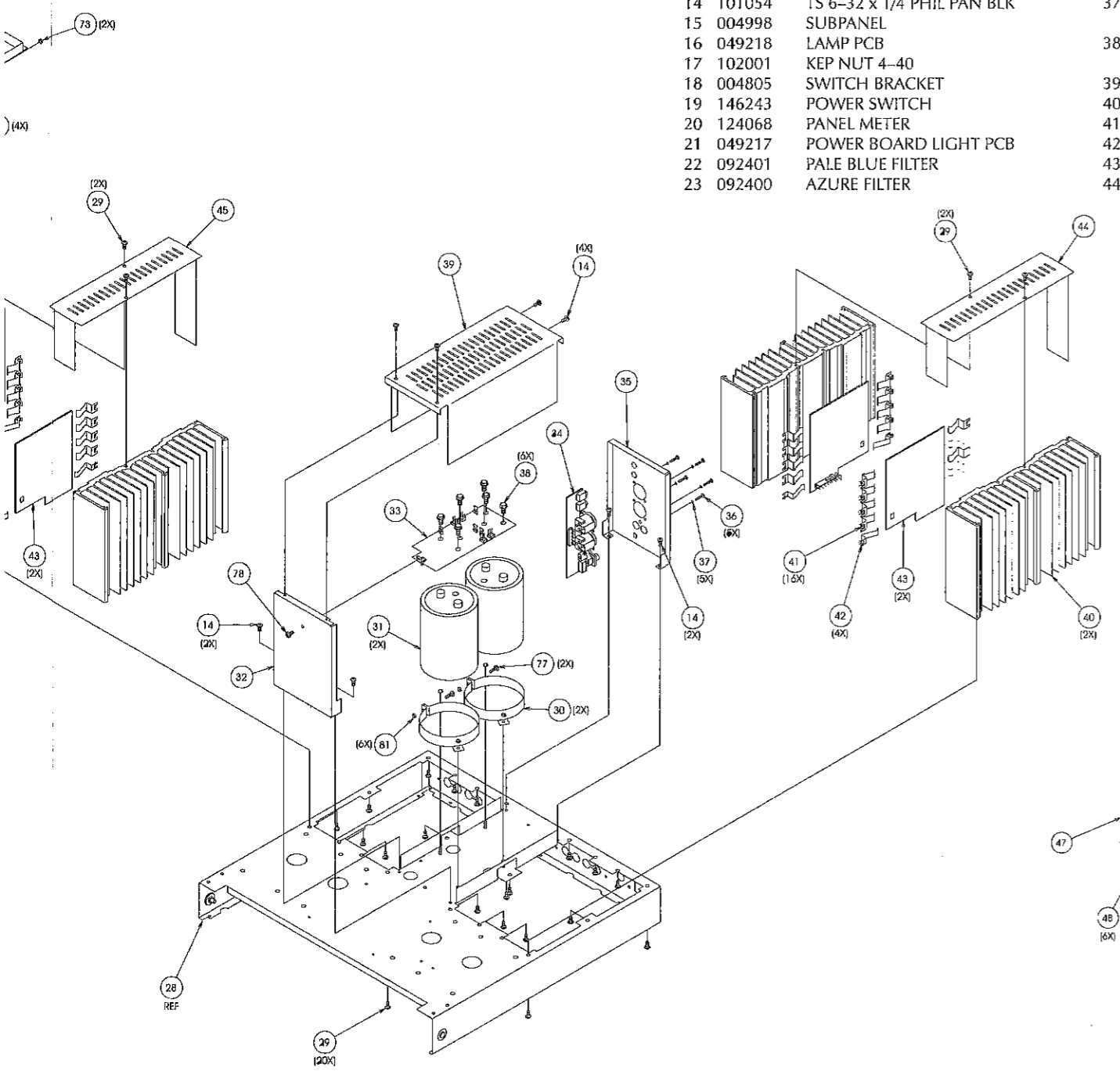
EXPLODED VIEW PARTS LIST

Ref. No.	Part No.	Description
1	018615	END CAP
2	101042	TS 4-40 x 1/2 FIL TYPE 1
3	004939	EXTRUSION BRACKET
4	090266	KNOB
5	101172	TS 6-32 x 1/4 FH U/C PHIL BLK
6	018588	BOTTOM EXTRUSION
7	016400	GLASS
8	104017	FELT WASHER
9	017757	PLEXIGLAS
10	092418	BLUE FILTER
11	018619	TOP EXTRUSION
12	004923	DUST COVER
13	101078	TS 8-32 x 5/16 PHIL PAN BLK
14	101054	TS 6-32 x 1/4 PHIL PAN BLK
15	004998	SUBPANEL
16	049218	LAMP PCB
17	102001	KEP NUT 4-40
18	004805	SWITCH BRACKET
19	146243	POWER SWITCH
20	124068	PANEL METER
21	049217	POWER BOARD LIGHT PCB
22	092401	PALE BLUE FILTER
23	092400	AZURE FILTER

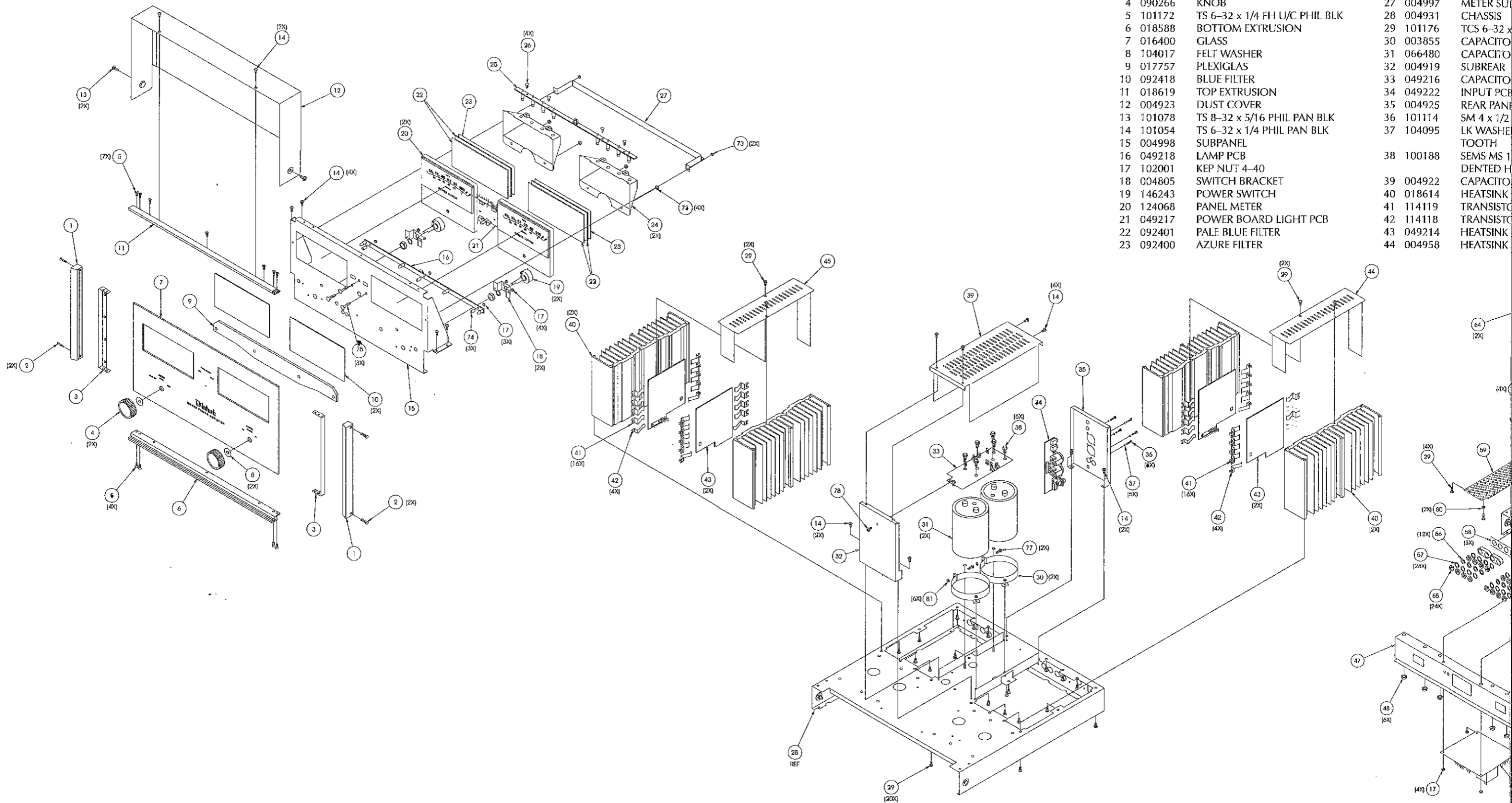
Ref. No.	Part No.	Description
24	017749	LIGHT BOX
25	049215	METER PCB
26	114072	PLASTIC RIVET
27	004997	METER SUPPORT BRACKET
28	004931	CHASSIS
29	101176	TCS 6-32 x 1/2 PHIL PAN BLK
30	003855	CAPACITOR CLAMP
31	066480	CAPACITOR
32	004919	SUBREAR
33	049216	CAPACITOR PCB
34	049222	INPUT PCB
35	004925	REAR PANEL
36	101114	SM 4 x 1/2 PHIL PAN
37	104095	LK WASHER #4 INTERNAL TOOTH
38	100188	SEMS MS 10-32 x 3/8 IN DENTED HEX HD
39	004922	CAPACITOR COVER
40	018614	HEATSINK
41	114119	TRANSISTOR CLIP 214
42	114118	TRANSISTOR CLIP 218
43	049214	HEATSINK PCB
44	004958	HEATSINK COVER RIGHT

Ref. No.	Part No.	Description
45	004928	HEATSINK COVER LEFT
46	049217	POWER GUARD LIGHT PCB ASSY
47	004995	FRONT SUPPORT BRACKET
48	102006	MN 10-32 W/LOCK
49	070139	BRIDGE RECTIFIER
50	084135	THERMAL PAD
51	078025	GROMMET
52	078034	GROMMET
53	004930	CHASSIS SUPPORT BRACKET
54	074091	TERMINAL BLOCK
55	110009	NUT M5 x 0.8 BRASS W/GOLD PLATE
56	104148	FLAT WASHER BRASS
57	104130	LW #10 SPLIT PHOS/BRONZE
58	004800	OUTPUT PLATE
59	004954	HEATSINK VENT
60	117487	AC RECEPTACLE
61	084124	DUAL BINDING POST
62	178122	FUSE HOLDER
63	102020	MN 6-32 SELF LOCK
64	049224	OUTPUT TRANSFORMER
65	049225	POWER TRANSFORMER
66	017770	PCB SHIELD

Ref. No.	Part No.	Description
67	049219	DRIVER PCB
68	104001	FLAT STEEL WASHER #4 x 9/32 x .025
69	017218	PLASTIC FOOT
70	104080	FLAT WASHER
71	100159	MS 10-32 x 3/4 PHIL PAN BLK
72	004924	BOTTOM COVER
73	102003	KEP NUT 6-32
74	112038	STEEL SPACER #4 x 3/8
75	112092	REVERSE LOCKING PCB SUPPORT
76	017760	CUPPED CIRCUIT BD SUPPORT
77	100118	MS 6-32 x 1/2 PHIL PAN
78	100250	SEMS MS 6-32 x 1/4 PHIL PAN
79	104016	LK WASHER 1/2 x .630 x .022
80	104004	LK WASHER 5 x .255 INT STAR
81	102045	6-32 NUT SPECIAL
82	102022	MN 4-40 3/16 x 1/16
83	104007	LK WASHER 6 x .288 INT STAR



EXPLODED VIEW



Ref. No.	Part No.	Description	Ref. No.	Part No.	Description
1	018615	END CAP	24	017749	LIGHT BOX
2	101042	TS 4-40 x 1/2 FIL TYPE 1	25	049215	METER PCB
3	004939	EXTRUSION BRACKET	26	114072	PLASTIC R
4	090266	KNOB	27	004997	METER SU
5	101172	TS 6-32 x 1/4 FH U/C PHIL BLK	28	004931	CHASSIS
6	018588	BOTTOM EXTRUSION	29	101176	TCS 6-32 x
7	016400	GLASS	30	003855	CAPACITO
8	104017	FELT WASHER	31	066480	CAPACITO
9	017757	PLEXIGLAS	32	004919	SUBREAR
10	092418	BLUE FILTER	33	049216	CAPACITO
11	018619	TOP EXTRUSION	34	049222	INPUT PCB
12	004923	DUST COVER	35	004925	REAR PAN
13	101078	TS 8-32 x 5/16 PHIL PAN BLK	36	101114	SM 4 x 1/2
14	101054	TS 6-32 x 1/4 PHIL PAN BLK	37	104095	LK WASHE
15	004998	SUBPANEL			TOOTH
16	049218	LAMP PCB	38	100188	SEMS MS 1
17	102001	KEP NUT 4-40			DENTED H
18	004805	SWITCH BRACKET	39	004922	CAPACITO
19	146243	POWER SWITCH	40	018614	HEATSINK
20	124068	PANEL METER	41	114119	TRANSISTO
21	049217	POWER BOARD LIGHT PCB	42	114118	TRANSISTO
22	092401	PALE BLUE FILTER	43	049214	HEATSINK
23	092400	AZURE FILTER	44	004958	HEATSINK

REPACKING INSTRUCTIONS

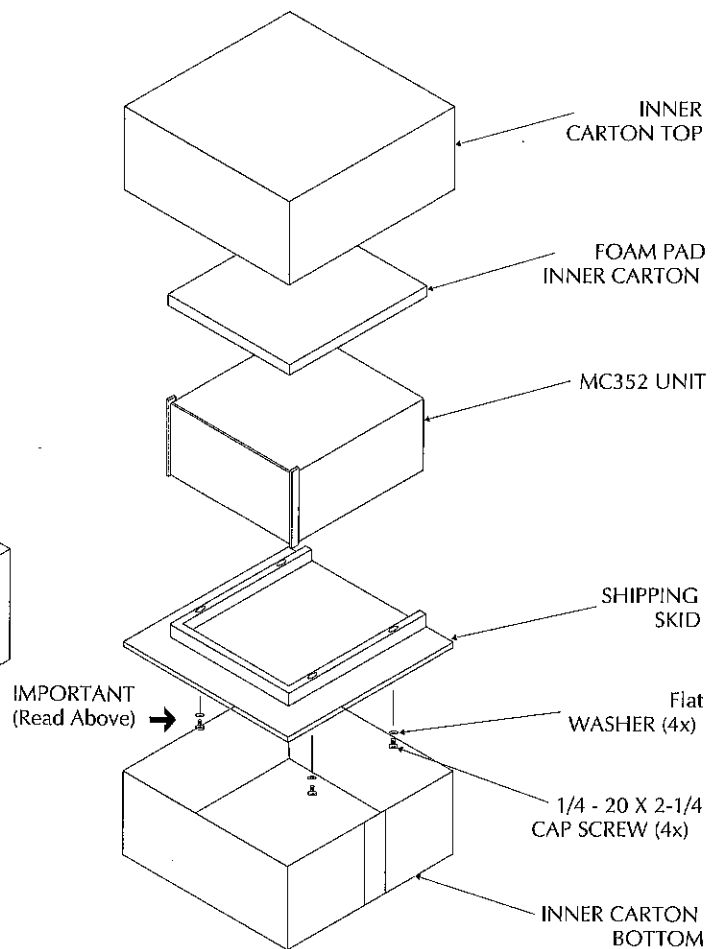
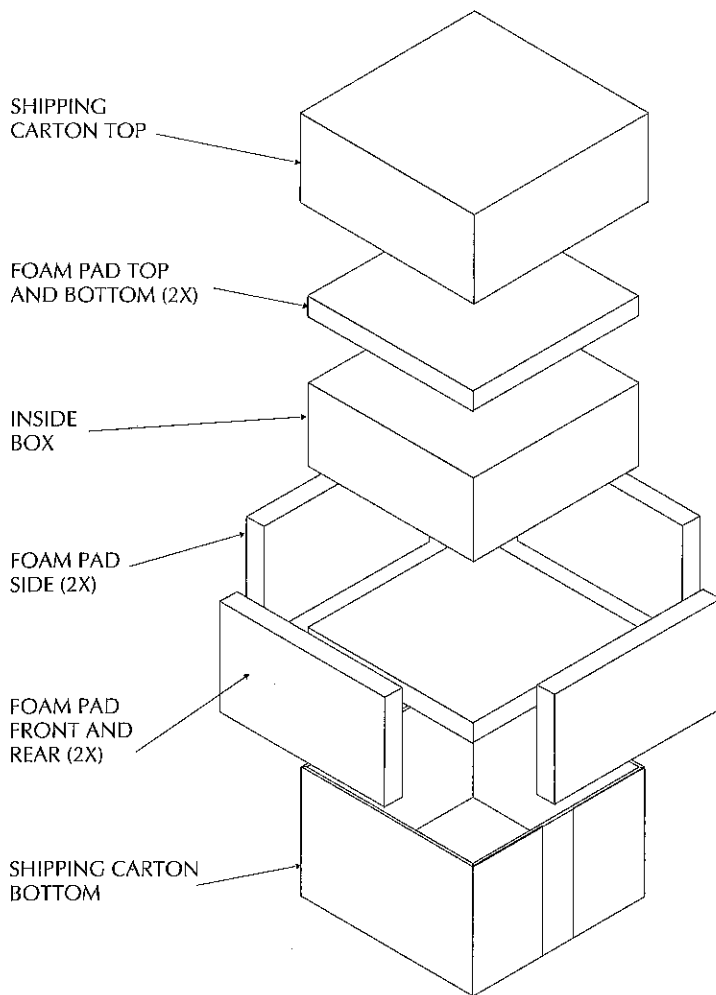
In the event it is necessary to repack the unit for shipment, the unit must be packed exactly as shown below.

IMPORTANT - For ease of shipment, attach the four feet to the bottom of the unit. Four, 1/4 - 20 x 2-1/4 bolts with washers must be used to fasten the unit securely to the wood skid. Failure to do this will result in shipping damage.

If a shipping carton or any of the interior parts is needed, please call or write the Customer Service Department of McIntosh Laboratory. Order parts from the accompanying list by part number.

Use the original shipping carton and interior parts only if they are in good serviceable condition.

Qty.	Part No.	Description
1	034051	Shipping carton bottom
2	034054	Foam pad (front and rear)
2	034053	Foam Pad (side)
2	034055	Foam pad (top and bottom)
1	034052	Shipping carton (top)
1	034049	Inner carton (bottom)
1	034056	Shipping skid
1	034048	Foam pad (inner carton)
1	034050	Inner carton (top)
4	101212	1/4 - 20 x 2-1/4 cap screw
4	104058	Flat washer



MC352

POWER AMPLIFIER

SERVICE MANUAL

The continuous improvement of its products is the policy of McIntosh Laboratory Incorporated, who reserve the right to improve design without notice. Because of the constant upgrading of McIntosh products' circuitry and components, the Company cannot insure, and does not warrant, the accuracy of the within schematic material, which is intended for information only.

McINTOSH LABORATORY, INC., 2 CHAMBERS STREET, BINGHAMTON, NEW YORK 13903 Printed in U.S.A. Part Number 040689