

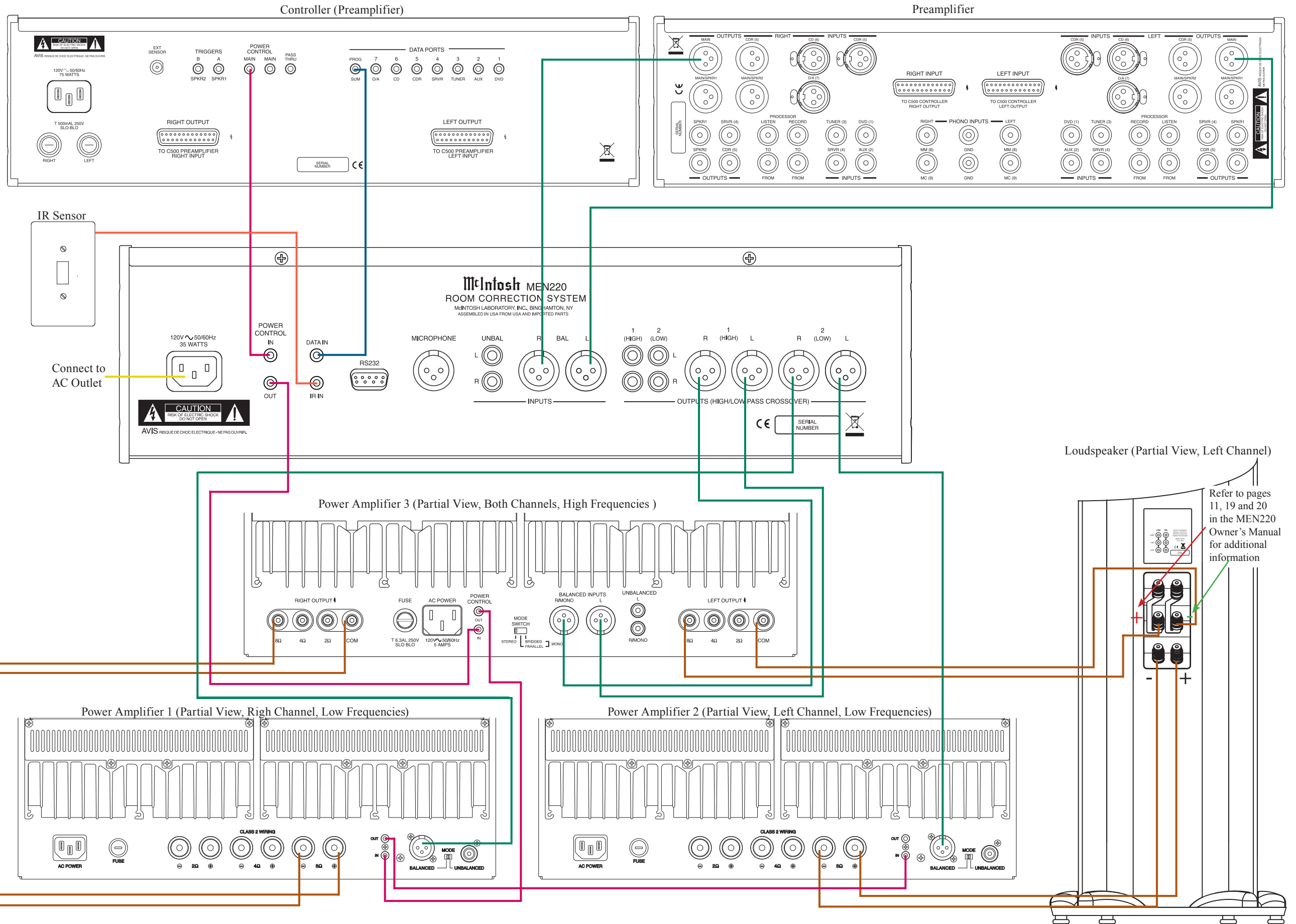
MEN220 with Crossover Connection Diagram

Note: Refer to the MEN220 Owner's Manual page 11 for additional connection information.

Connection Legend:

- Data Cable* - —
- Sensor/Keypad Cable - —
- Power Control Cable* - —
- Audio Signal Cable - —
- Video Signal Cable - —
- RF Signal Cable - —
- Digital Signal Cable - —
- RS232 Cable - —
- Ground Wire - —
- AC Power Cords - —
- Loudspeaker Cable - —

* 2 conductor shielded with 1/8 inch stereo mini phone plug on each end.



Loudspeaker (Partial View, Right Channel)

Loudspeaker (Partial View, Left Channel)

Refer to pages 11, 19 and 20 in the MEN220 Owner's Manual for additional information

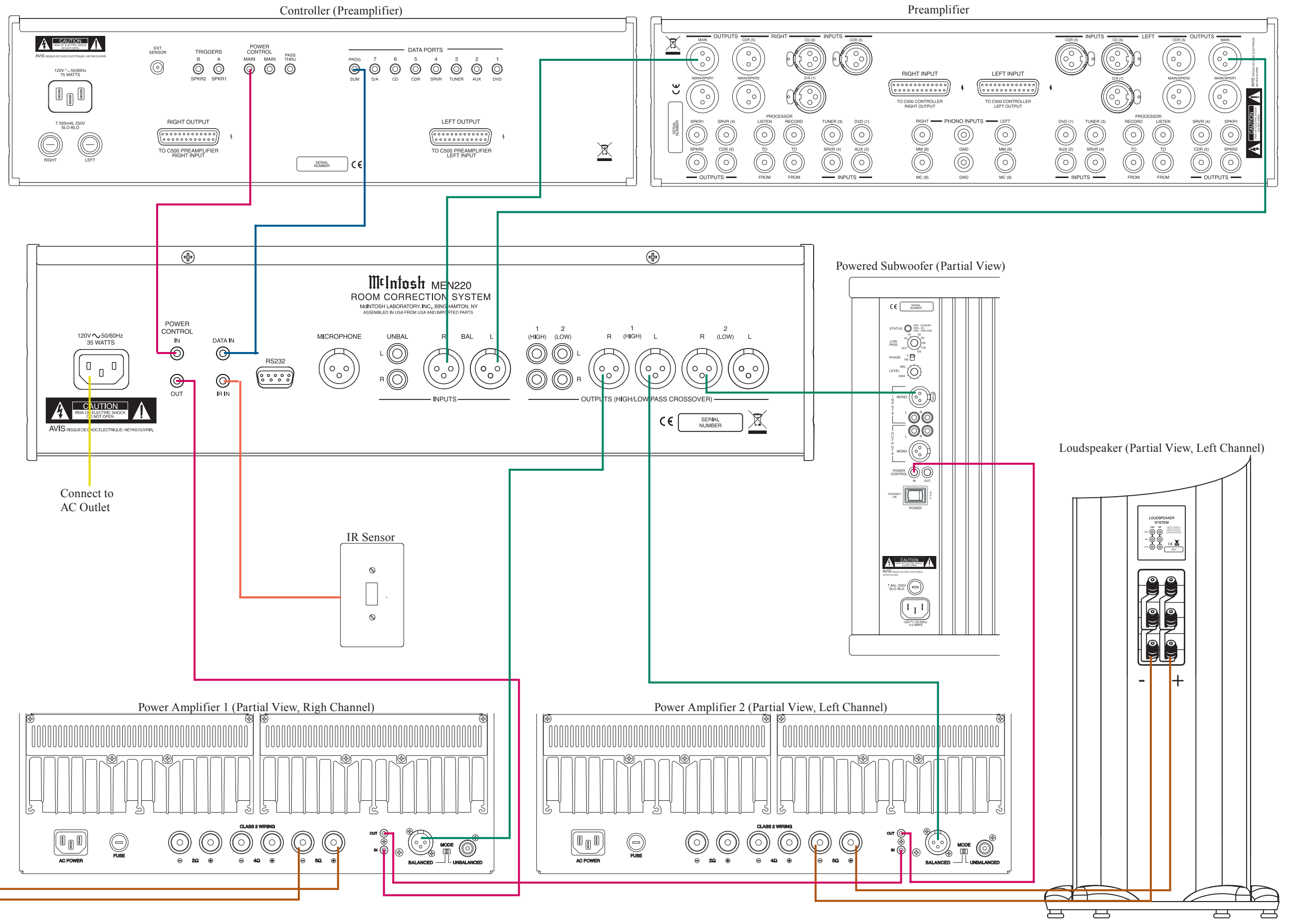
Refer to pages 11, 19 and 20 in the MEN220 Owner's Manual for additional information

Note: Refer to the MEN220 Owner's Manual page 12 for additional connection information.

Connection Legend:

- Data Cable* - —
- Sensor/Keypad Cable - —
- Power Control Cable* - —
- Audio Signal Cable - —
- Video Signal Cable - —
- RF Signal Cable - —
- Digital Signal Cable - —
- RS232 Cable - —
- Ground Wire - —
- AC Power Cords - —
- Loudspeaker Cable - —

* 2 conductor shielded with 1/8 inch stereo mini phone plug on each end.



Loudspeaker (Partial View, Right Channel)

Loudspeaker (Partial View, Left Channel)

Connect to AC Outlet

Power Amplifier 1 (Partial View, Right Channel)

Power Amplifier 2 (Partial View, Left Channel)

Powered Subwoofer (Partial View)