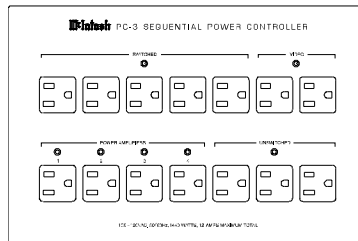




**OWNER'S
MANUAL**

PC-3 Sequential Power Controller



PC-3



Thank You, Please Take A Moment, Customer Service and Table of Contents

Thank You

For your decision to own this McIntosh PC-3 Sequential Power Controller ranks you at the very top among discriminating music listeners. You now have "The Best." The McIntosh dedication to "Quality," is assurance that you will receive many years of musical enjoyment from this unit.

Please take a short time to read the information in this manual. We want you to be as familiar as possible with all the features and functions of your new McIntosh PC-3. This will ensure that you receive all the performance benefits this equipment can offer you, and that it will become a highly valued part of your home entertainment system.

Please Take A Moment

The serial number, purchase date and McIntosh dealer name are important to you for possible insurance claim or future service. The serial number is located on the rear panel of the equipment. The spaces below have been provided for you to record that information:

Serial Number: _____

Purchase Date: _____

**Thank You, Please Take A Moment,
Customer Service and Table of Contents**

Dealer Name: _____

If it is determined that your PC-3 is in need of repair, you can return it to your dealer or you can return it to McIntosh Laboratory. Contact the McIntosh Repair Department for assistance at,

Customer Service

If at any time you have questions about your McIntosh PC-3 Sequential Power Controller, contact your McIntosh dealer. Your dealer is familiar with your McIntosh equipment as well as other brands that may be included in your system and is best qualified to help you.

McIntosh Laboratory, Inc.
2 Chambers Street
Binghamton, New York 13903
Phone: 607-723-3512
FAX: 607-724-0549

Copyright 1998 © by McIntosh Laboratory, Inc.



**Thank You, Please Take A Moment,
Customer Service and Table of Contents**

Table of Contents

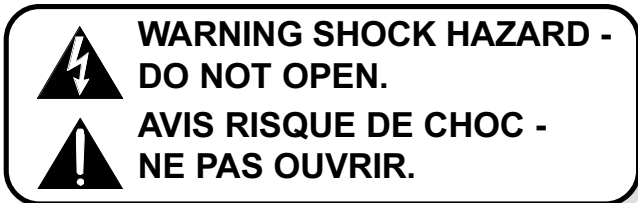
Thank You	2	Important Operation Information	16
Please Take a Moment	2	Specifications	18
Customer Service	3	Packing Instruction	19
Table of Contents	4		
Safety Instructions	5		
Introduction	10		
Performance Features	10		
Installation	11		
Top Panel Display and Connections	12		
Side Panel Connections	13		
How to Connect for Sequential Operation	14		
How to Connect for Multizone Operation	15		

NOTES:

- 1. The PC-3 is manufactured in several configurations to meet various world country requirements. The style, number of AC outlets and the operating voltage can differ from the PC-3 illustrated in this manual. However, the operating functions remain the same.*
- 2. For additional connection information, refer to the owner's manual (s) for any components (s) connected to the PC-3.*

IMPORTANT SAFETY
INSTRUCTIONS!

**PLEASE READ THEM BEFORE
OPERATING THIS EQUIPMENT.**



General:

1. Read all the safety and operating instructions, contained in this owner's manual, before operating this equipment.
2. Retain this owner's manual for future reference about safety and operating instructions.



Safety Instructions con't

3. Adhere to all warnings and operating instructions.
4. Follow all operating and use instructions.
5. **Warning: To reduce risk of fire or electrical shock, do not expose this equipment to rain or moisture. This unit is capable of producing high sound pressure levels. Continued exposure to high sound pressure levels can cause permanent hearing impairment or loss. User caution is advised and ear protection is recommended when playing at high volumes.**
6. **Caution: to prevent electrical shock do not use this (polarized) plug with an extension cord, receptacle or other outlet unless the blades can be fully inserted to prevent blade exposure.**
Attention: pour prevenir les chocs electriques pas utiliser cette fiche polarisee avec un prolongateur, une prise de courant ou un autre sortie de courant, sauf si les lames peuvent etre inserees afond ans en laisser aucune partie a decouvert.
7. For added protection for this product during a lightning storm, or when it is left unattended and unused for long periods of time, unplug it from the wall outlet and disconnect the antenna or cable system. This will prevent damage to the product due to lightning or power line surges.

Safety Instructions con't

8. Do not use attachments not recommended in this owner's manual as they may cause hazards.

Installation:

9. Locate the equipment for proper ventilation. For example, the equipment should not be placed on a bed, sofa, rug, or similar surface that may block ventilation openings; or, placed in a built-in installation, such as a bookcase or cabinet, that may impede the flow of air through the ventilation openings.
10. Locate the equipment away from heat sources such as radiators, heat registers, stoves, or other appliance (including amplifiers) that produce heat.
11. Mount the equipment in a wall or cabinet only as described in this owner's manual
12. Do not use this equipment near water; for example, near a bathtub, washbowl, kitchen sink, laundry tub, in a wet basement or near a swimming pool, etc.
13. Do not place this product on an unstable cart, stand, tripod, bracket, or table. The equipment may fall, causing serious injury to a person, and serious damage to the product.

Connection:

14. Connect this equipment only to the type of AC power source as marked on the unit.



Safety Instructions con't

15. Route AC power cords so that they are not likely to be walked on or pinched by items placed upon or against them, paying particular attention to cords at plugs, convenience receptacles, and the point where they exit from the instrument.
16. Do not defeat the inherent design features of the polarized plug. Non-polarized line cord adapters will defeat the safety provided by the polarized AC plug. If the plug should fail to fit, contact your electrician to replace your obsolete outlet. Do not defeat the safety purpose of the grounding-type plug.
17. Do not overload wall outlets, extension cords or inte-

gral convenience receptacles as this can result in a risk of fire or electric shock.

Care of Equipment:

18. Clean the instrument by dusting with a dry cloth. Unplug this equipment from the wall outlet and clean the panel with a cloth moistened with a window cleaner. Do not use liquid cleaners or aerosol cleaners.
19. Do not permit objects of any kind to be pushed and/or fall into the equipment through enclosure openings. Never spill liquids into the equipment through enclosure openings.

Safety Instructions con't

20. Unplug the power cord from the AC power outlet when left unused for a long period of time.

Repair of Equipment:

21. Unplug this equipment from the wall outlet and refer servicing to a qualified service personnel under the following conditions:
 - A. The AC power cord or the plug has been damaged.
 - B. Objects have fallen, or liquid has been spilled into the equipment.
 - C. The equipment has been exposed to rain or water.
 - D. The equipment does not operate normally by following the operating instructions contained within

this owner's manual. Adjust only those controls that are covered by the operating instructions, as an improper adjustment of other controls may result in damage and will often require extensive work by a qualified technician to restore the product to its normal operation.

- E. The equipment has been dropped or damaged in any way.
 - F. The equipment exhibits a distinct change in performance - this indicates a need for service.
22. Do not attempt to service beyond that described in the operating instructions. All other service should be referred to qualified service personnel.



Safety Instructions con't, Introduction and Performance Features

23. When replacement parts are required, be sure the service technician has used replacement parts specified by McIntosh or have the same characteristics as the original part. Unauthorized substitutions may result in fire, electric shock, or other hazards.
24. Upon completion of any service or repairs to this product, ask the service technician to perform safety checks to determine that the product is in proper operating condition.

Introduction

The McIntosh PC-3 Sequential Power Controller provides automatic heavy duty power control of McIntosh Components in a system.

Performance Features

- **Sequential or Multizone Operation**

The PC-3 has two methods of operation, depending on which McIntosh component is being used and how it is connected.

- **Switched Amplifier Outlets**

Switched outlets will turn on individually or sequentially for power amplifiers.

- **Switched Video Outlet**

The switched outlet(s) for a video accessory components

Installation

will turn on when the system is turned on or when a video source is selected.

- **Switched Accessory Outlets**

These outlets will turn on whenever the system turns on and can be used to supply power to accessory audio components.

- **Unswitched Outlet**

The unswitched outlet(s) stays on as long as the main PC-3 power cord is plugged into a live AC outlet.

- **Built-in Spike Protector**

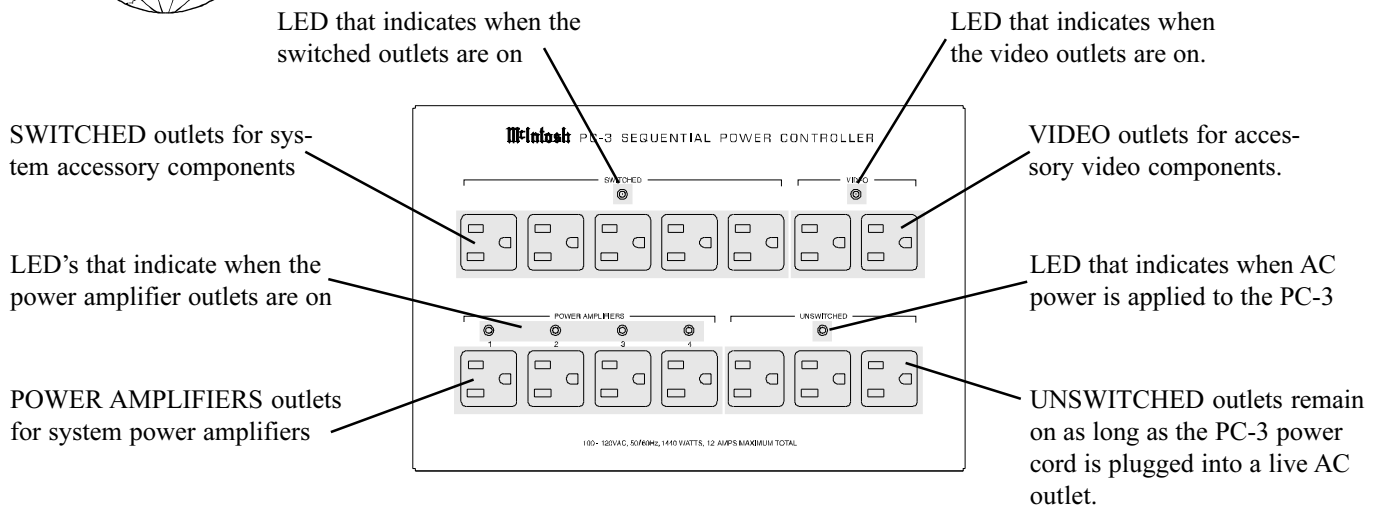
Components connected to the PC-3 are protected from potentially damaging line voltage spikes.

Installation

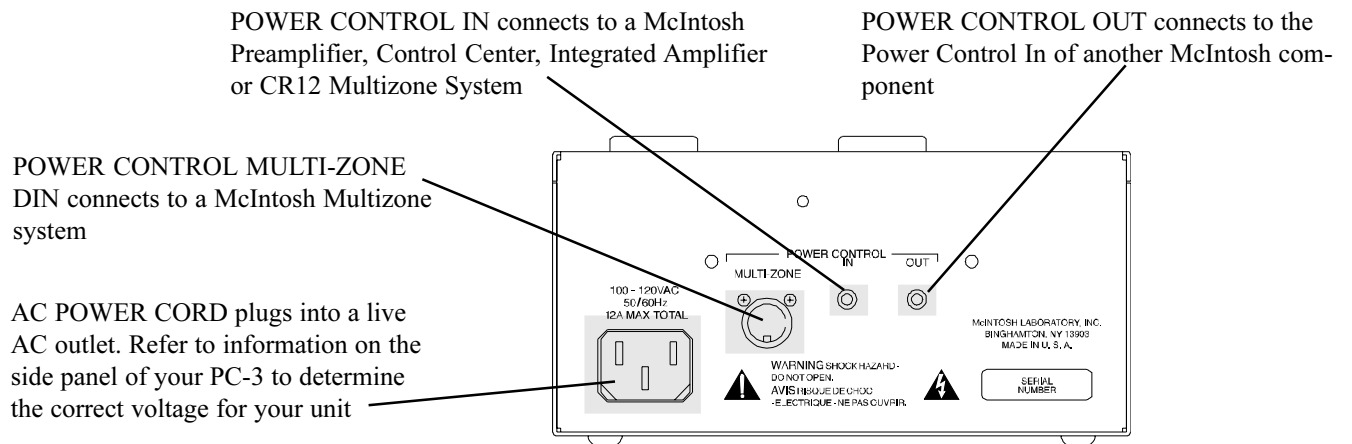
The PC-3 can be placed on a table or shelf, resting on its four feet. Cool operation ensures the longest possible operating life for any electronic instrument. Do not install the PC-3 directly above a heat generating component such as a high powered amplifier. Consideration should be given to allow for easy access of the PC-3 for connection of the AC Power Cords coming from other components.



Top Panel Display and Connections



Side Panel Connections



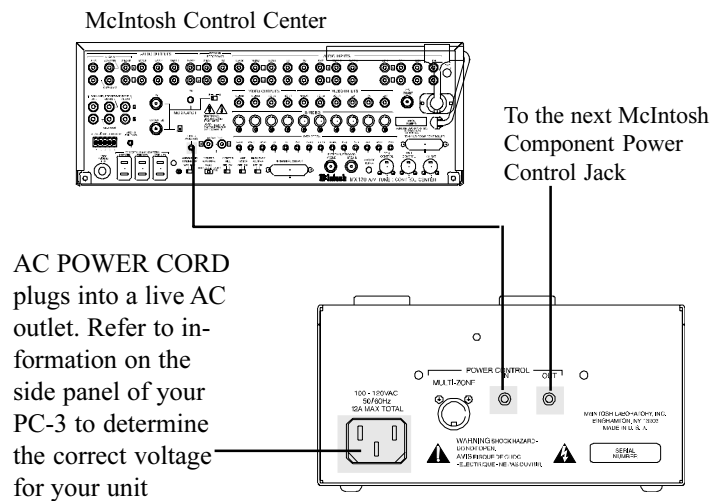


How to Connect for Sequential Operation

How to Connect for Sequential Operation

1. Connect the PC-3 Power Cord to a live AC outlet that is capable of supplying 10 amperes at 220/240 volts, or 12 amperes at 100/120 volts.
2. Connect accessory component power cords to the appropriate PC-3 outlets.
3. Connect a Power Control cable from a McIntosh Preamplifier, Control Center, Integrated Amplifier or Multizone System Power Control Out jack to the PC-3 POWER CONTROL IN jack.

Note: If needed, connect a Power Control cable from the PC-3 POWER CONTROL OUT jack to another McIntosh component.

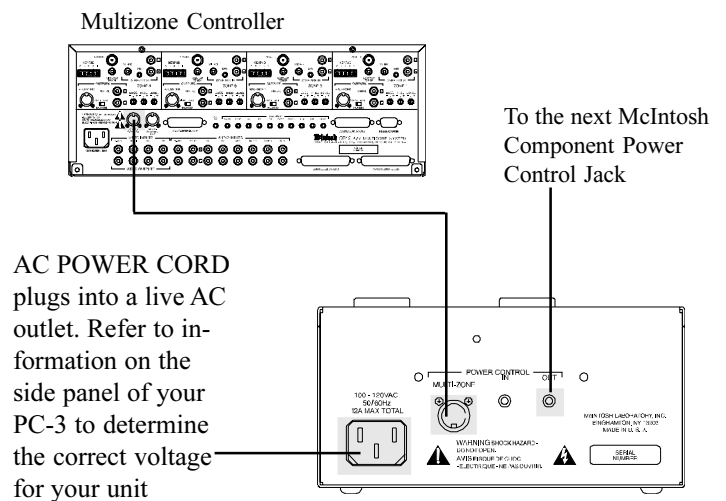


How to Connect for Multizone Operation

How to Connect for Multizone Operation

1. Connect the PC-3 Power Cord to a live AC outlet that is capable of supplying 10 amperes at 220/240 volts, or 12 amperes at 100/120 volts.
2. Connect accessory component power cords to the appropriate PC-3 outlets.
3. Connect a 7 pin DIN cable from the DIN POWER CONTROL socket on a McIntosh Multizone System to the PC-3 MULTI-ZONE DIN socket.

Note: If needed, connect a Power Control cable from the PC-3 POWER CONTROL OUT jack to another McIntosh component.





Important Operation Information

Important Operation Information

Power Amplifier and Video outlets on the PC-3 turn on in two different configurations, depending on which McIntosh component is being used and how it is connected to the PC-3.

Sequential Mode

When the PC-3 is connected with a Power Control cable to a McIntosh Preamplifier, Integrated Amplifier, Control Center or Multizone System., one half second after the switched outlets turn on, the first Power Amplifier outlet turns on. The remaining Power Amplifier outlets then turn

on sequentially in one half second intervals. This avoids the high current inrush of all four power amplifiers from loading the power line at the same time. The Video outlet(s) turn on one half second after the switched outlets.

Multizone Mode

When the PC-3 is connected to a McIntosh CR12 Multizone System with a DIN cable, power amplifier outlets will turn on only when a specific zone is turned on. This allows the use of separate power amplifiers for each zone. The Video outlet(s) turn on only when a video source is selected by the CR12.

Important Operation Information

Unswitched Outlet(s)

The unswitched outlet(s) stay on as long as the PC-3 main power cord is connected to a live outlet and are to be used for a component that needs AC power at all times such as a McIntosh Preamplifier, Integrated Amplifier, Control Center or Multizone System. Other examples are a VCR which can be programmed to record when the main system is off, or a product that has a standby power supply to allow remote turn on.



Specifications

Specifications

Power Requirements

100 Volts, 50/60Hz at 10 watts
110 Volts, 50/60Hz at 10 watts
120 Volts, 50/60Hz at 10 watts
220 Volts, 50/60Hz at 10 watts
230 Volts, 50/60Hz at 10 watts
240 Volts, 50/60Hz at 10 watts

Dimensions

10.9 inches (27.7cm) Wide, 4.3 inches (10.9cm) High, 7.2 inches (18.3cm) depth

Weight

6.5 pounds (2.9 Kg) net, 7.5 pounds (3.4 Kg) shipping

Packing Instructions

Packing Instructions

In the event it is necessary to repack the equipment for shipment, use the original shipping carton and interior parts only if they are all in good serviceable condition. If a shipping carton or any of the interior part(s) are needed, please call or write Customer Service Department of McIntosh Laboratory. Please see the Part List for the correct part numbers.

<u>Quantity</u>	<u>Part Number</u>	<u>Description</u>
1	033949	Shipping carton
1	033093	Bubble Pack

McIntosh[®]

McIntosh Laboratory, Inc.
2 Chambers Street
Binghamton, NY 13903

McIntosh Part No. 040387