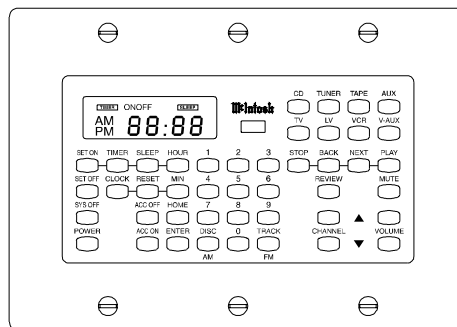
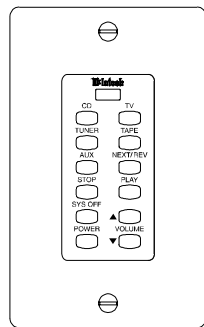




OWNER'S MANUAL

WK-3 / WK-4 Keypads



WK-3
WK-4



Thank You, Please Take A Moment, and Customer Service

Thank You

For your decision to own this McIntosh WK-3 / WK-4 Keypad ranks you at the very top among discriminating music listeners. You now have "The Best." The McIntosh dedication to "Quality," is assurance that you will receive many years of musical enjoyment from this unit.

Please take a short time to read the information in this manual. We want you to be as familiar as possible with all the features and functions of your new McIntosh WK-3 / WK-4. This will ensure that you receive all the performance benefits this equipment can offer you, and that it will become a highly valued part of your home entertainment system.

Please Take A Moment

The serial number, purchase date and McIntosh dealer name are important to you for possible insurance claim or future service. The serial number is located on the rear panel of the equipment. The spaces below have been provided for you to record that information:

Serial Number: _____

Purchase Date: _____

Dealer Name: _____

Customer Service

If at any time you have questions about your McIntosh WK-3 / WK-4, contact your McIntosh dealer. Your dealer is familiar with your McIntosh equipment as well as other brands that may be included in your system and is best qualified to help you.

If it is determined that your WK-3 / WK-4 is in need of repair, you can return it to your dealer or you can return it to McIntosh Laboratory. Contact the McIntosh Repair Department for assistance at,

McIntosh Laboratory, Inc.
2 Chambers Street
Binghamton, New York 13903
Phone: 607-723-3512
FAX: 607-724-0549



Table of Contents and Safety Instructions

IMPORTANT SAFETY INSTRUCTIONS!

Table of Contents

Thank You	2
Please Take a Moment	2
Customer Service	2
Table of Contents	3
Safety Instructions	3
Introduction	5
Performance Features	5
WK-3 Installation	6
WK-4 Installation	7
How to Connect the WK-3 Keypad	8
How to Connect the WK-4 Keypad	9
WK-3 Front Panel Push-Buttons	10
WK-4 Front Panel Display and Push-Buttons	11
How to Operate the WK-3 and WK-4 .	12
Specifications	15
Packing Instruction	15

PLEASE READ THEM BEFORE OPERATING THIS EQUIPMENT.

WARNING SHOCK HAZARD - DO NOT OPEN.

AVIS RISQUE DE CHOC - NE PAS OUVRIR.

CAUTION
RISK OF ELECTRIC SHOCK
DO NOT OPEN

NO USER-SERVICEABLE PARTS INSIDE. REFER SERVICING TO QUALIFIED PERSONNEL

ATTENTION
DANGER D'ELECTROCUTION
NE PAS OUVRIR

NOTES:

1. *As soon as a WK-4 installation is complete and the system power is turned on, momentarily press the RESET push-button to clear the microprocessors before further setup is attempted.*
2. *For additional connection information, refer to the owner's manual(s) for any component(s) connected to the WK-3 / WK-4 Keypads.*
3. *Up to four sensors or keypads can be wired in parallel for a single zone.*
4. *If AC power is interrupted to the WK-4 system, all clock and timed functions will be retained for approximately 1 hour.*

General:

1. Read all the safety and operating instructions, contained in this owner's manual, before operating this equipment.
2. Retain this owner's manual for future reference about safety and operating instructions.
3. Adhere to all warnings and operating instructions.
4. Follow all operating and use instructions.
5. **Warning: To reduce risk of fire or electrical shock, do not expose this equipment to rain or moisture. This unit is capable of producing high sound pressure levels. Continued ex-**



Safety Instructions, con't

posure to high sound pressure levels can cause permanent hearing impairment or loss. User caution is advised and ear protection is recommended when playing at high volumes.

6. Do not use attachments not recommended in this owner's manual as they may cause hazards.

Installation:

7. Locate the equipment away from heat sources such as radiators, heat registers, stoves, or other appliance (including amplifiers) that produce heat.
8. Mount the equipment in a wall or cabinet only as described in this owner's manual
9. Do not use this equipment near water; for example, near a bathtub, wash-bowl, kitchen sink, laundry tub, in a wet basement or near a swimming pool, etc.

Connection:

10. Connect this equipment only as outlined in this owner's manual

Care of Equipment:

11. Clean the instrument by dusting with a dry cloth or a with a cloth moistened with a window cleaner. Do not use liquid cleaners or aerosol cleaners.
12. Never spill liquids into the equipment.

Repair of Equipment:

13. Refer servicing to a qualified service personnel under the following conditions:
 - A. Objects have fallen, or liquid has been spilled into the equipment.
 - B. The equipment has been exposed to rain or water.
 - C. The equipment does not operate normally by following the operating instructions contained within this owner's manual. Adjust only those controls that are covered by the operating instructions, as an improper adjustment of other controls may result in damage and will often require extensive work by a qualified technician to restore the product to its normal operation.
 - D. The equipment has been dropped or damaged in any way.
 - E. The equipment exhibits a distinct change in performance - this indicates a need for service.
14. Do not attempt to service beyond that described in the operating instructions. All other service should be referred to qualified service personnel.
15. When replacement parts are required, be sure the service technician has used replacement parts specified by McIntosh or have the same characteristics as the original part. Unauthorized sub-



Introduction and Performance Features

- stitutions may result in fire, electric shock, or other hazards.
16. Upon completion of any service or repairs to this product, ask the service technician to perform safety checks to determine that the product is in proper operating condition.

Introduction

The McIntosh WK-3 and WK-4 keypads allow convenient push-button remote control of McIntosh Control Centers or Multizone Control Systems.

WK-3 / WK-4 Performance Features

- **Built-in IR sensor**
Adds the convenience of operating a component with a remote control in a local zone.
- **Multiple Inputs**
Select any available audio/video source in a local zone.
- **Local Volume Control**
Adjust local zone volume level up or down.
- **Illuminated Push-Buttons**
Input, and power push-buttons illuminate to indicate zone status and selected signal source.

- **Transport Control**

Perform operating functions on a CD player, Laser Video Disc Player or tape recorder.

- **Wakeup Source and Volume**

Select the signal source and volume level that is active when a zone is turned on.

- **Power Off of Local Zone and System**

Turn off a local zone, or turn off the entire system.

WK-4 Additional Performance Features

- **Built-in Clock and Timer**

The clock display indicates the time of day, as well as the on and off set times of special events.

- **Preset Timed Events**

Enjoy listening to a signal source for a specific time using the timed event turn on and turn off feature.

- **Sleep Mode**

Set a turn off or sleep time in 10 minute intervals up to one hour.

- **Home Controller**

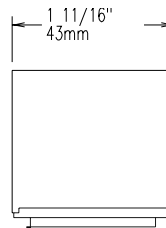
Use the Home and Numbered push-buttons to operate source components controlled by the optional HC-1 Home Controller.



WK-3 Installation

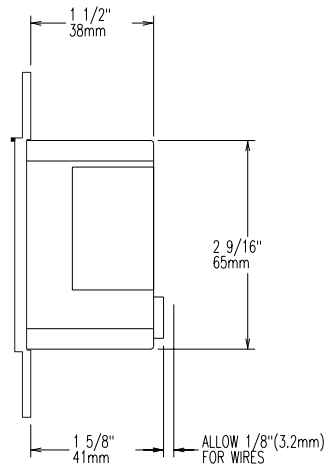
WK-3 Installation

The WK-3 can be custom installed in a wall opening, piece of furniture or cabinet of your choice. The WK-3 will fit in a standard NEMA, 1-gang, sheet-steel or non-metallic outlet box with a depth of 2-1/2 inches. The WK-3 can be mounted directly to a wood or plasterboard wall by making a cutout according to the dimensions shown below. Plastic screw anchors are supplied for installation in plasterboard. Make sure the mounting surface is flat so the keypad does not bend or deform as the screws are tightened. Do not install the WK-3 directly above a heat generating object such as a radiator.

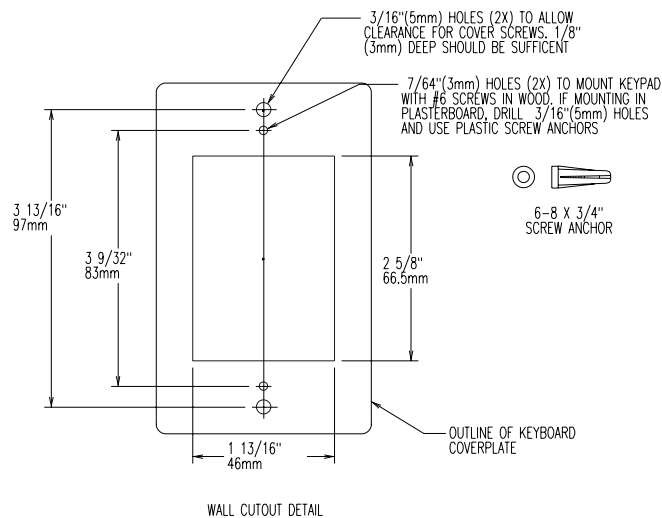


WK-3
Top View

WK-3
Side View



WK-3 Mounting Cutout Detail

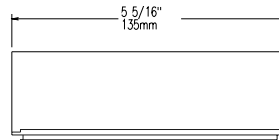




WK-4 Installation

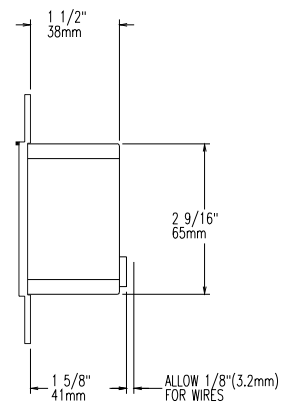
WK-4 Installation

The WK-4 can be custom installed in a wall opening, piece of furniture or cabinet of your choice. The WK-4 will fit in a standard NEMA, 3-gang, sheet-steel or non-metallic outlet box with a depth of 2-1/2 inches. The WK-4 can be mounted directly to a wood or plasterboard wall by making a cutout according to the dimensions shown below. Plastic screw anchors are supplied for installation in plasterboard. Make sure the mounting surface is flat so the keypad does not bend or deform when the screws are tightened. Do not install the WK-4 directly above a heat generating object such as a radiator.

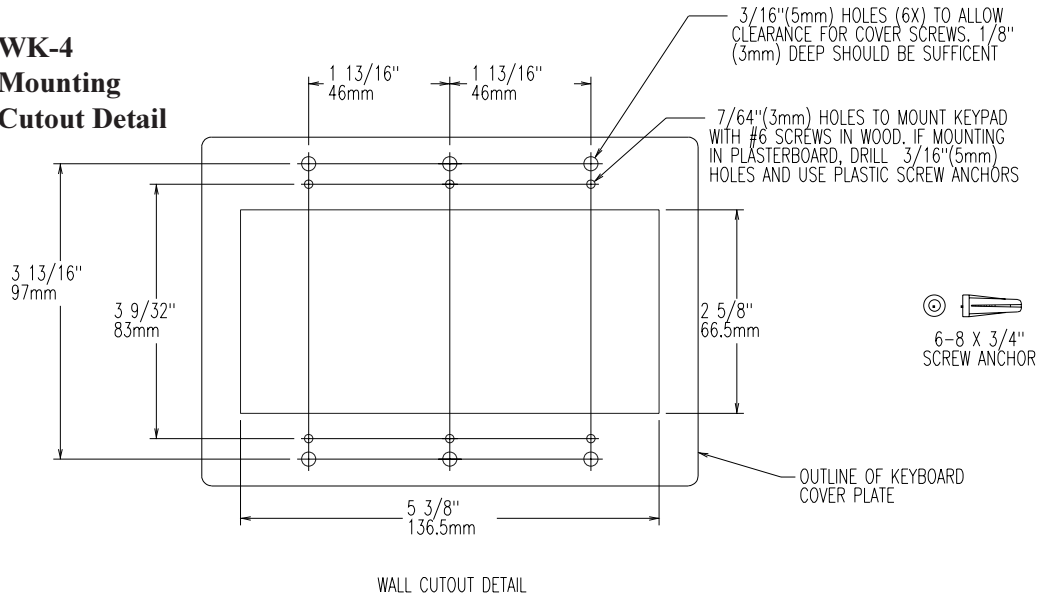


WK-4 Top View

WK-4 Side View



WK-4 Mounting Cutout Detail

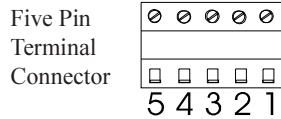




How to Connect the WK-3 to the CR12 and MX130

How to Connect the WK-3 to the CR12

1. Connect one end of a shielded 4 conductor cable from the keypad connector to the CR12 terminal connector, according to the Pin Numbers listed below.



Keypad Cable Connections	CR12 Terminal Connector Pin #	Keypad Pin #
Supply Voltage Positive	1	1
Supply Voltage Ground	2	2
Cable Shield	3	3
Signal Data	4	4
Signal Data Ground	5	5

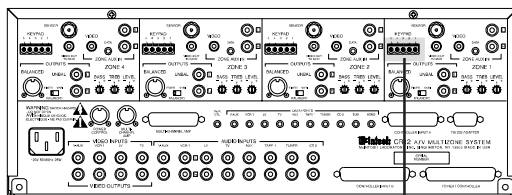
How to Connect the WK-3 to the MX130

1. Connect one end of a shielded 4 conductor cable from the keypad connector to the MX130 terminal connector, according to the Pin Numbers listed below.

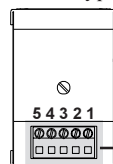
Note: There is only one terminal connector for connecting keypads from both Area A and Area B to the back of the MX130.

Keypad Cable Connections	MX130 Terminal Connector Pin #	Keypad Pin #
Supply Voltage Positive	1	1
Supply Voltage Ground	2	2
Signal Data - Area A	3	4
Signal Data - Area B	4	4
Cable Shield	5	3
Signal Data Ground	5	5

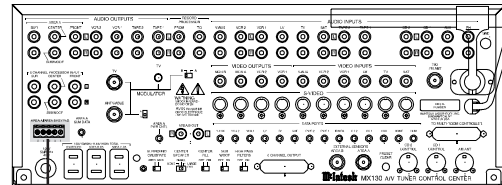
McIntosh CR12 System Controller



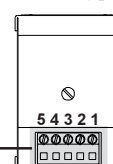
WK-3 Keypad



McIntosh MX130 Tuner/Control Center



WK-3 Keypad

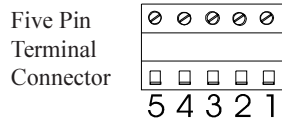




How to Connect the WK-4 to the CR12 and MX130

How to Connect the WK-4 to the CR12

1. Connect one end of a shielded 4 conductor cable from the keypad connector to the CR12 terminal connector, according to the Pin Numbers listed below.



Keypad Cable Connections	CR12 Terminal Connector Pin #	Keypad Pin #
Supply Voltage Positive	1	1
Supply Voltage Ground	2	2
Cable Shield	3	3
Signal Data	4	4
Signal Data Ground	5	5

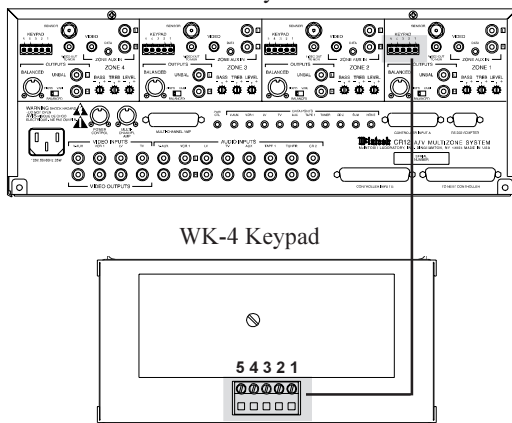
How to Connect the WK-4 to the MX130

1. Connect one end of a shielded 4 conductor cable from the keypad connector to the MX130 terminal connector, according to the Pin Numbers listed below.

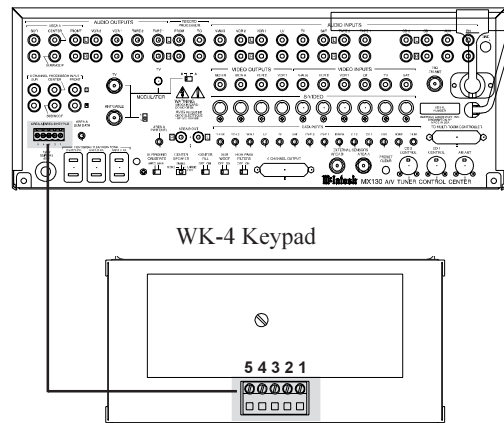
Note: There is only one terminal connector for connecting keypads from both Area A and Area B to the back of the MX130.

Keypad Cable Connections	MX130 Terminal Connector Pin #	Keypad Pin #
Supply Voltage Positive	1	1
Supply Voltage Ground	2	2
Signal Data - Area A	3	4
Signal Data - Area B	4	4
Cable Shield	5	3
Signal Data Ground	5	5

McIntosh CR12 System Controller



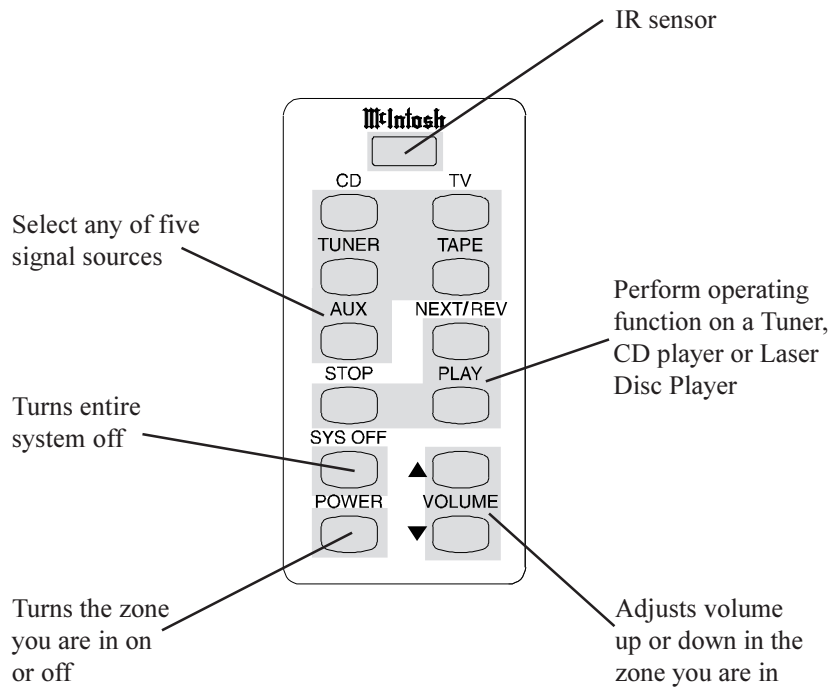
McIntosh MX130 Tuner/Control Center





WK-3 Front Panel Push-Buttons

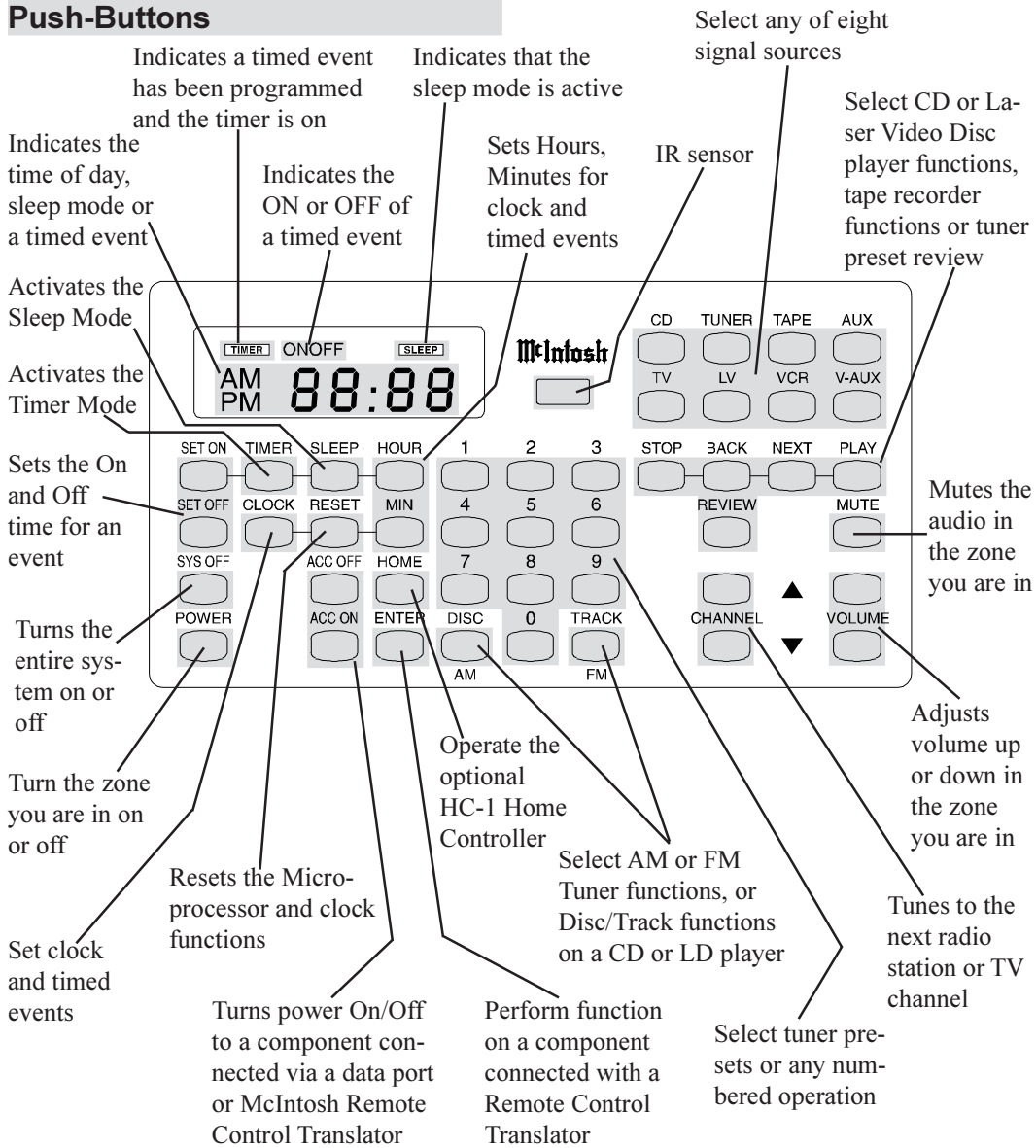
WK-3 Front Panel Push-Buttons





WK-4 Front Panel Display and Push-Buttons

WK-4 Front Panel Display and Push-Buttons





How to Operate the WK-3 and WK4

How to Operate the WK-3 and WK4

Input Push-buttons

Press to turn on a local zone and select a desired signal source. The selected source push-button will illuminate.

Note: Refer to figure 1 for the WK-3 and figure 2 for the Wk-4.

Transport Operations

Press Play. Stop or Next (next track)/Rev to operate a CD player Video disc player or tape recorder.

Tuner Operations

When a McIntosh tuner is being used, press Next/Rev (Review) to cycle through the tuner presets.

System Off

Press the Sys Off Push-button to turn off the entire system including the local zone.

Power

Press the Power push-button to turn On or Off the local zone.

Note: When a zone is muted the Power push-button blinks on and off. to indicate muting is active.

Volume

Press an up or down Volume push-button to raise or lower the volume in the local zone.

IR Sensor

Aim a Remote Control toward the built-in sensor to perform operating functions.

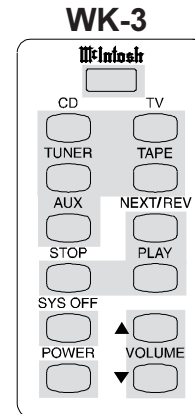


Figure 1

WK-4 Additional Functions

Mute

Press the Mute push-button to mute audio in the local zone. The Power push-button will blink on and off to indicate muting is active. Press again to unmute.

0-9 Numbered Push-buttons

Press a number push-button to operate the optional McIntosh HC-1 Home Controller, select tracks on a CD or laser video disc, tuner presets or any numbered operation.

Tuner operations

Press AM or FM to select the desired broadcast band. Press Channel up or down to tune up or down the broadcast band. Press Review to cycle through the tuner presets.

Transport Operations

Press Stop, Back (backtrack), Next (next



How to Operate the WK4 con't

track) or play to operate a CD player, Video Disc player or tape recorder. Press Acc On push-button to turn AC power of a McIntosh MLD720 Video Disc player on and off.

Disc and Track

The Disc (AM) and Track (FM) push-buttons can be programmed to perform transport operations when a component is connected using the RCT-3 emote Control Translator.

Reset Push-Button

The RESET push-button performs the following.

1. Press and hold for 3 seconds or more to reset ALL CLOCK functions to zero.
2. Press momentarily to reset the WK-4 microprocessors in case of lockup.

NOTE: The above condition is usually caused by either interruptions in AC power and/or major changes in voltage.

Alternate Push-Button Functions

Certain WK-4 push-buttons perform alternate functions when used with a McIntosh MCD7009 CD player

and the MLD7020 Video Disc player. Refer to Figure 3.

WK-4 Push Button	MCD7009 Function	MLD7020 Function
Channel ▲	Fast Forward	Fast Forward
Channel ▼	Reverse	Reverse
AM	-	Side A
FM	-	Side B
Acc On	-	-
Enter	Pause	Pause
Review	-	+10

Figure 3

How To Set the Keypad Clock Time

1. Press and Hold the Clock push-button for the entire time setting procedure.
2. Press and Hold the Hours push-button until the display indicates the correct AM or PM hour.

Note: The cycling speed of the hours and minutes during any time setting will increase after holding a push-button down for 3 seconds.

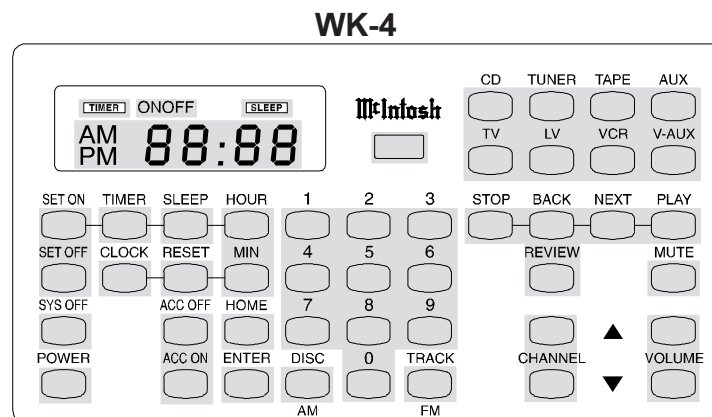


Figure 2



How to Operate the WK4 con't

4. Press and Hold the Minutes push-button until the display indicates the correct minute.
5. Release the Clock push-button. The time is set and the clock will be running.

Note: If you wish to cancel the clock setting and start over, press RESET and hold for 3 seconds or more.

How To Set Sleep Time

Sleep times can be set from a maximum of one hour, to a minimum of 10 minutes, in 10 minute intervals.

1. Press the Sleep push-button once. The display will read 60 minutes and the zone will turn on.
2. Press the Sleep push-button a second time (within 3 seconds) and the display will read 50 minutes. Each additional time you press Sleep, the minutes display will indicate a time reduction of 10 minutes.
3. When the desired Sleep time is reached, stop pressing the Sleep pushbutton. The Sleep indicator on the display will turn on to indicate that a Sleep time has been set and the clock will return to the normal time display. The system will now stay on with the last source listen to for the set time and then turn off.
4. If at any time you wish to cancel the Sleep function, press Sleep again, after the clock display has returned to the

normal time indication. The zone will then turn off.

How To Set a Timed On-Off Event

1. Press and Hold the Set On push-button for the entire On time setting process. The On and Timer indicators on the clock display will turn on.
2. Press and Hold the Hours push-button until the display indicates the desired AM or PM hour.
3. Press and Hold the Minutes push-button until the display indicates the correct minute.
4. Release the Set On push-button, the On and Timer indicators turn off and the starting time is now set.
5. Press and Hold the Set Off push-button for the entire Off time setting process. The Off and Timer indicators on the clock display will turn on.
6. Follow a similar process to set the off time as done for the on time.
7. Press the Timer push-button to activate the On/Off timed event function. The TIMER indicator will turn on and the signal source will turn on and off at the set times.

NOTE: You can turn off the Timer mode by pressing the Timer push-button again and the Timer display turns off. All the set on and off times will be retained in memory for later use, or until they are changed.



Specifications and Packing Instructions

WK-3 Specifications

Power Requirements

12 Volts, D.C. @50mA

Dimensions

1-1/2 inches (38 mm) Wide, 2-9/16 inches (65 mm) High, 1-5/8 inches (41 mm) Depth, allow an additional 1/8 inches (3.2 mm) for wires

Weight

0.5 pound (0.23 Kg) net, 1 pounds (0.45 Kg) shipping.

WK-4 Specifications

Power Requirements

12 Volts, D.C. @50mA

Dimensions

5-5/16 inches (135 mm) Wide, 2-9/16 inches (65 mm) High, 1-5/8 inches (41 mm) Depth, allow an additional 1/8 inches (3.2 mm) for wires

Weight

1 pounds (0.45 Kg) net, 2 pounds (0.9 Kg) shipping.

WK-3 Packing Instructions

In the event it is necessary to repack the equipment for shipment, use the original shipping carton and interior parts only if they are all in good serviceable condition. If a shipping carton or any of the interior part(s) are needed, please call or write Customer Service Department of McIntosh Laboratory. Please see the Part List for the correct part numbers.

<u>Quantity</u>	<u>Part Number</u>	<u>Description</u>
1	033922	Shipping carton

WK-4 Packing Instructions

In the event it is necessary to repack the equipment for shipment, use the original shipping carton and interior parts only if they are all in good serviceable condition. If a shipping carton or any of the interior part(s) are needed, please call or write Customer Service Department of McIntosh Laboratory. Please see the Part List for the correct part numbers.

<u>Quantity</u>	<u>Part Number</u>	<u>Description</u>
1	033922	Shipping carton



McIntosh[®]

McIntosh Laboratory, Inc.
2 Chambers Street
Binghamton, NY 13903

McIntosh Part No. 040591